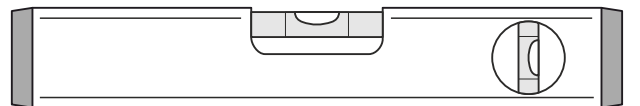
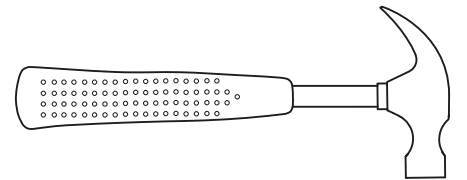
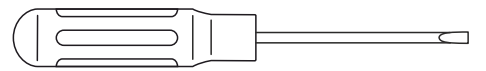
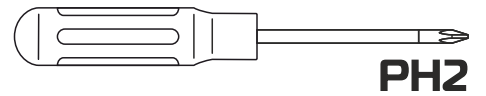
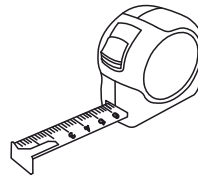
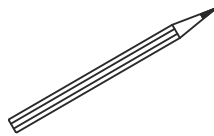
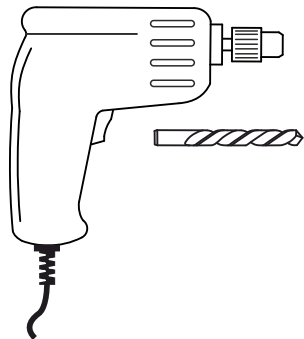
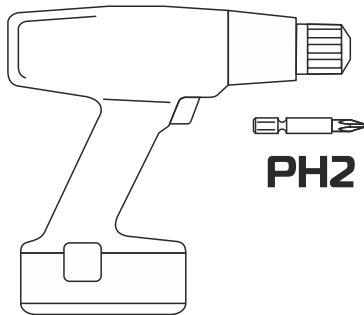
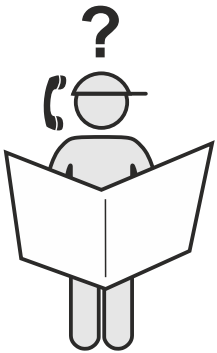
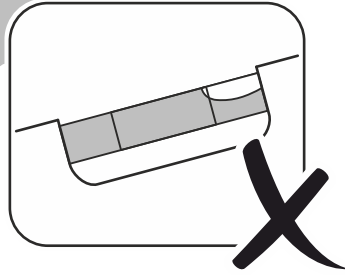
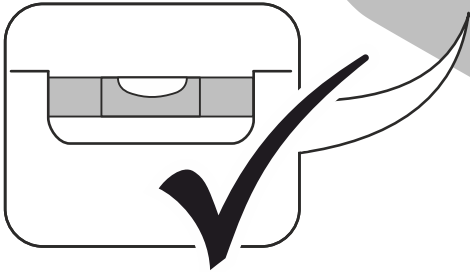
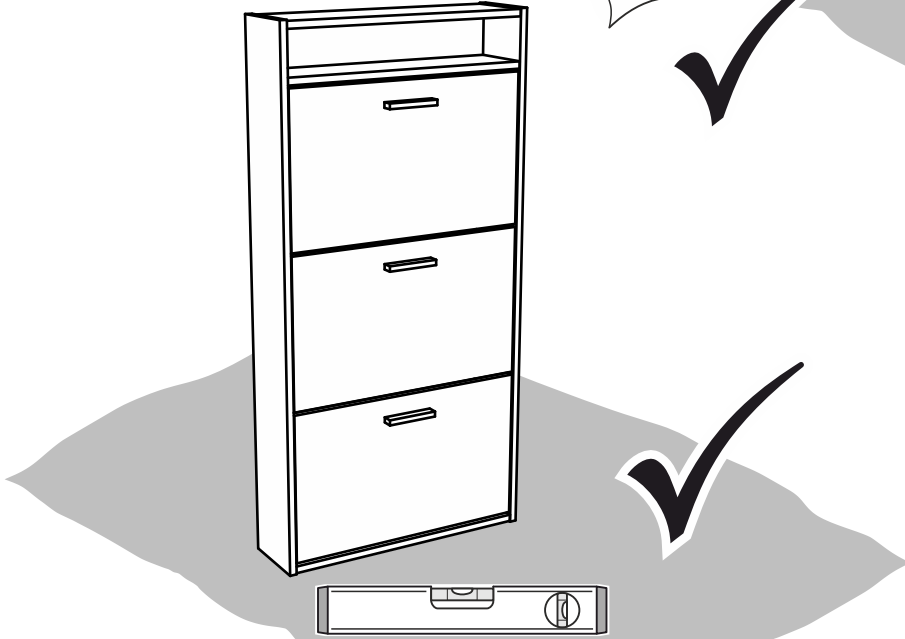
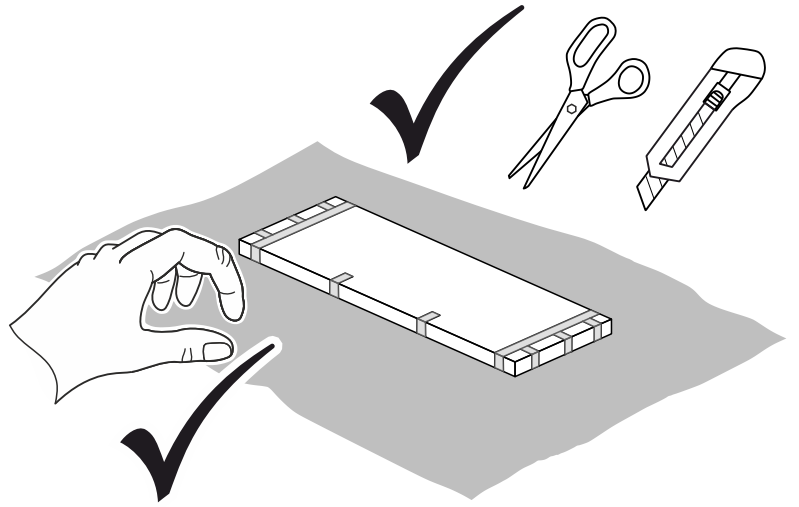
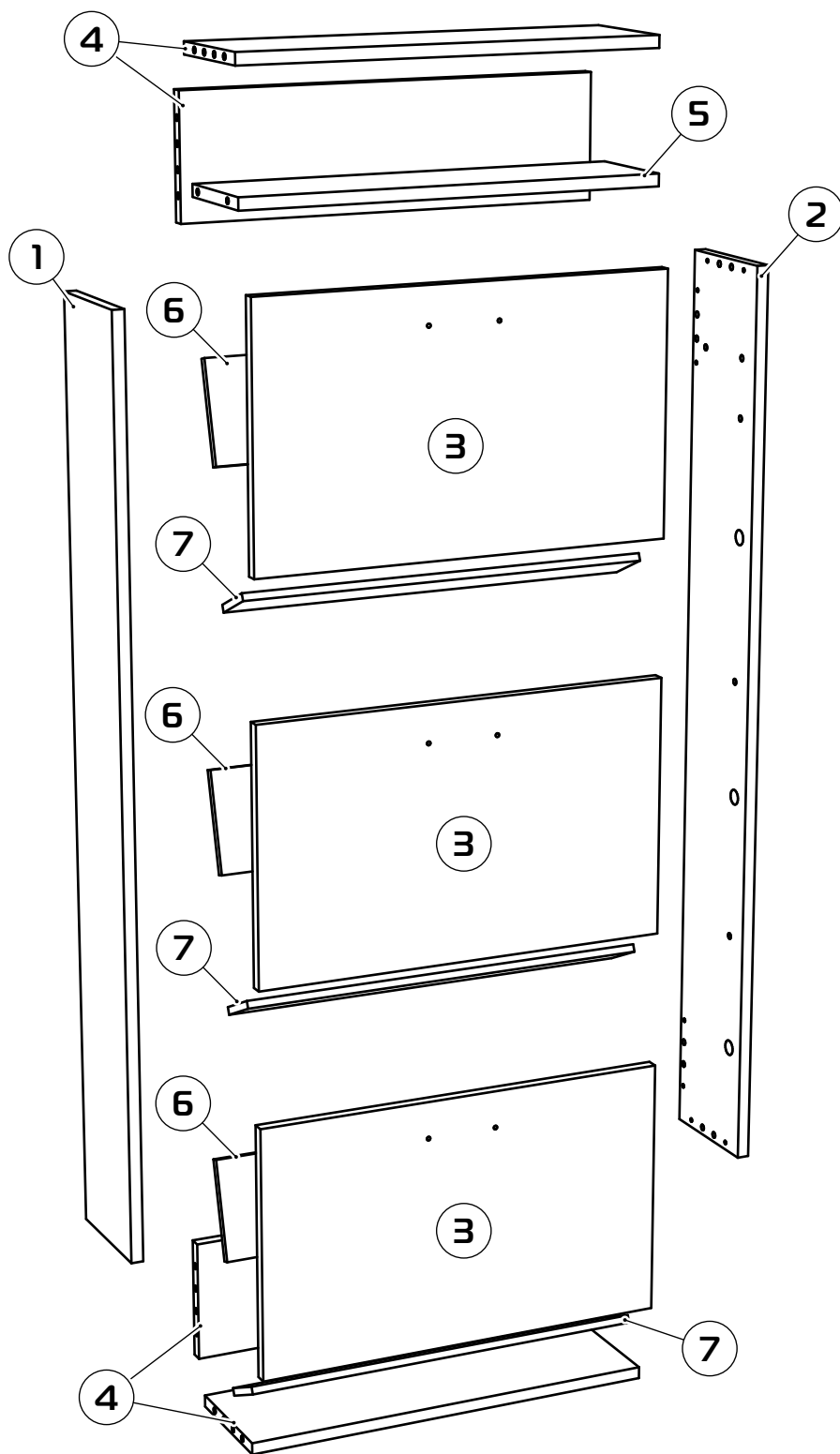


45-60 min





① 1212x165x16 (x1)

② 1212x165x16 (x1)

③ 345x565x16 (x3)

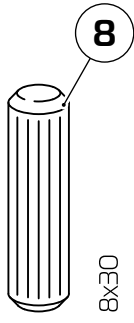
④ 569x164x16 (x4)

⑤ 569x147x16 (x1)

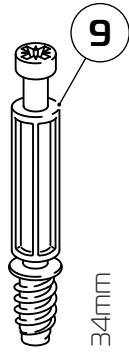
⑥ 553x138x10 (x3)

⑦ 553x70x10 (x3)

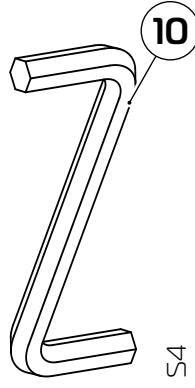
1:1



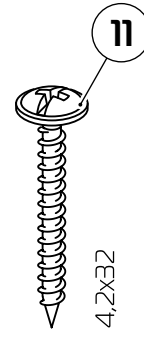
x20



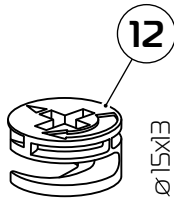
x16



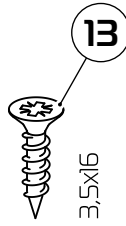
x1



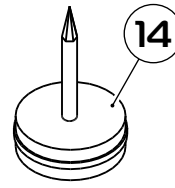
x6



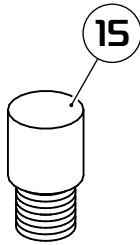
x16



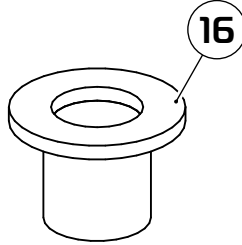
x42



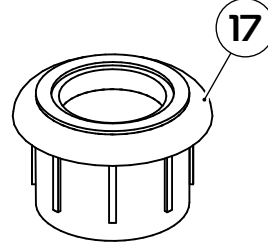
x4



x6

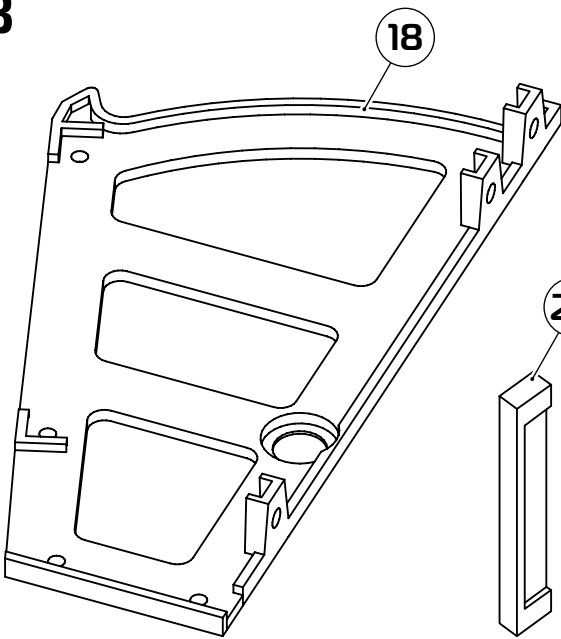


x6

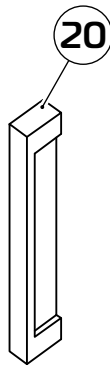


x6

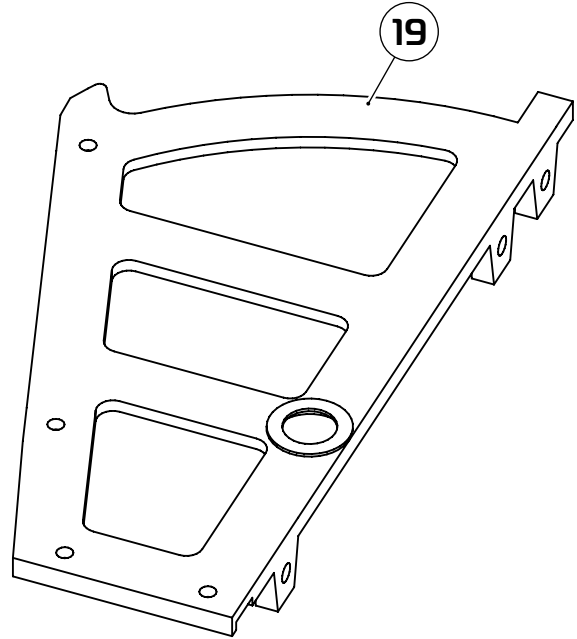
1:3



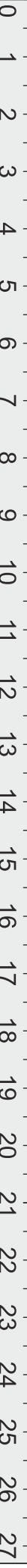
x3



x3



x3



1

6x

15

2

1

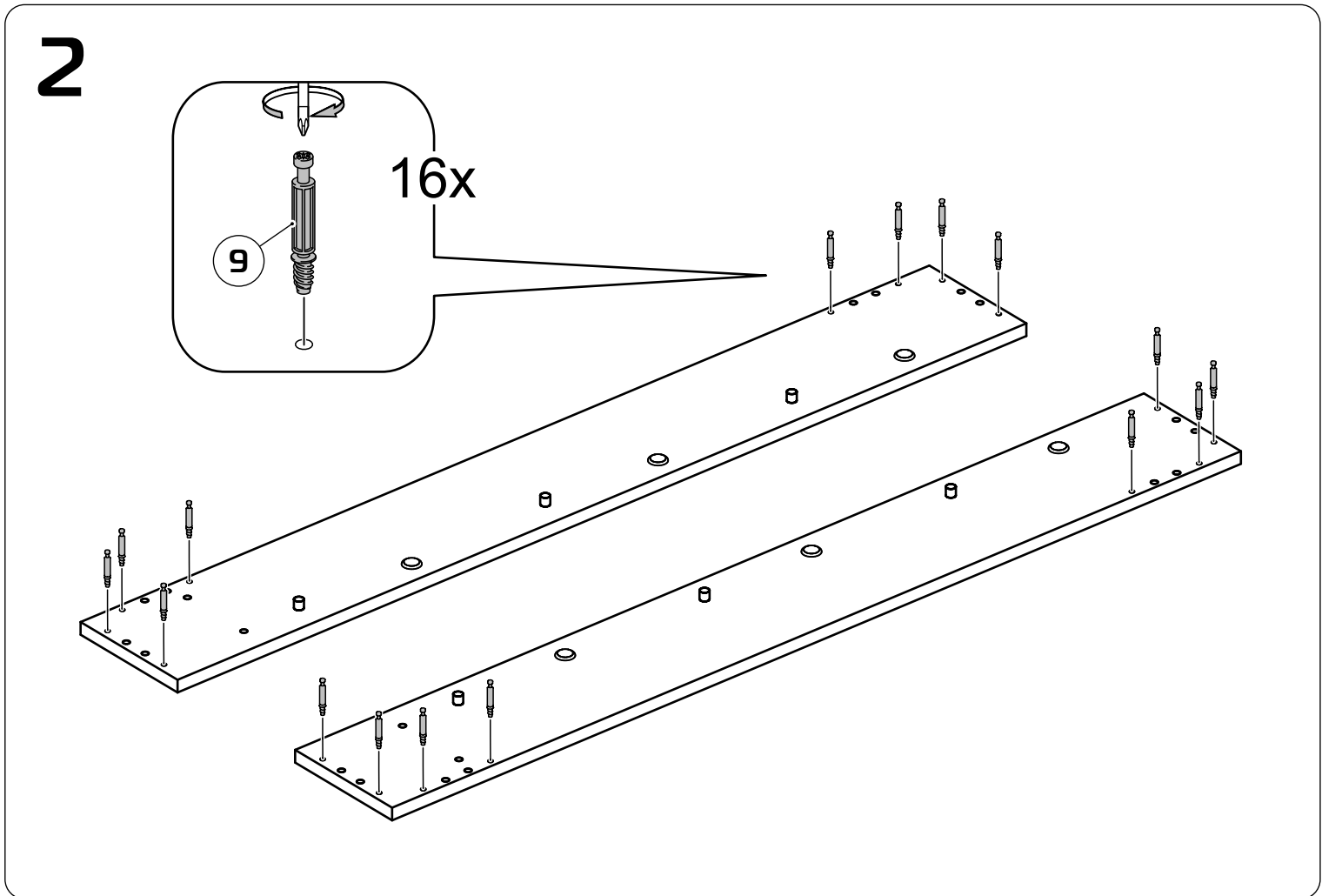
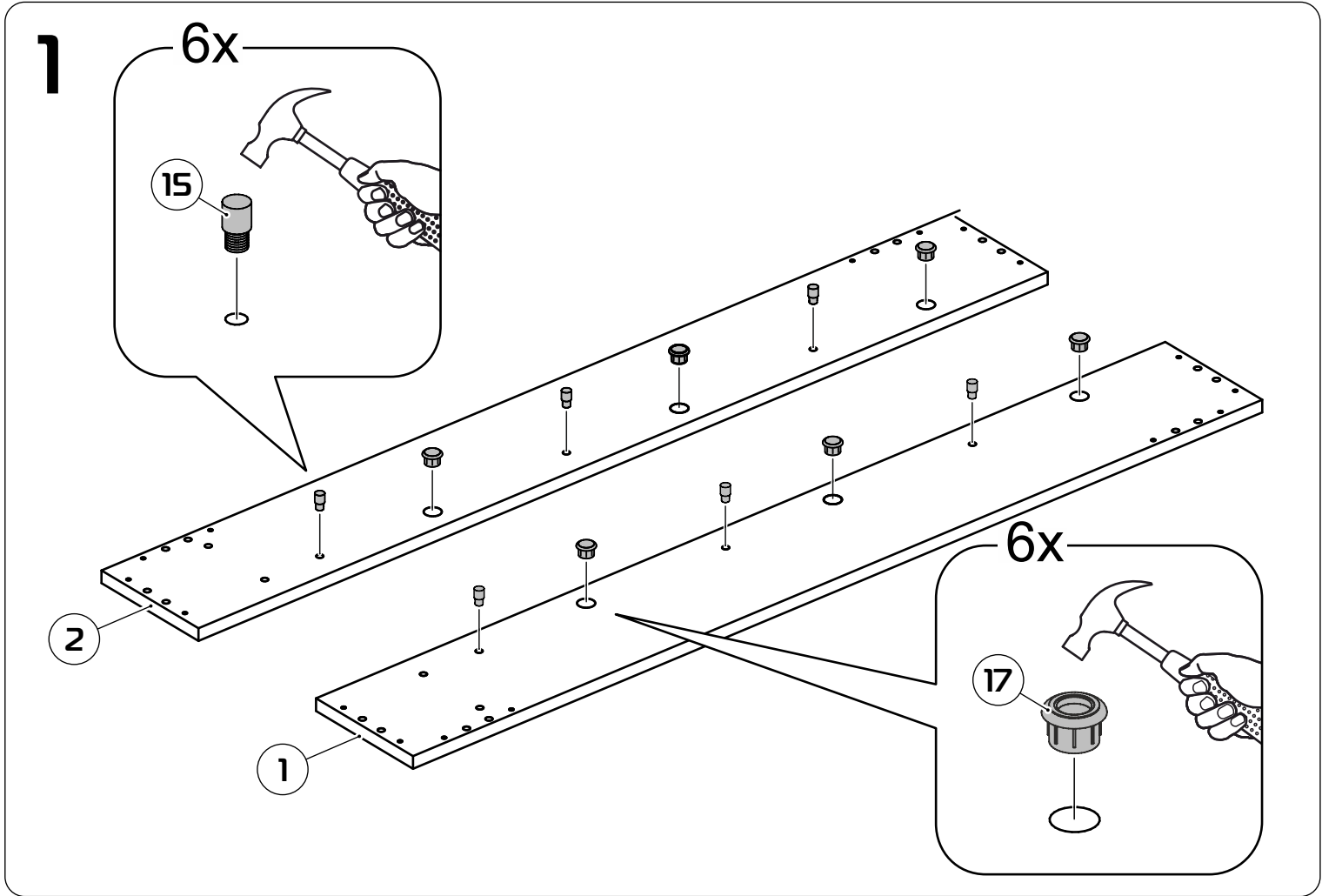
6x

17

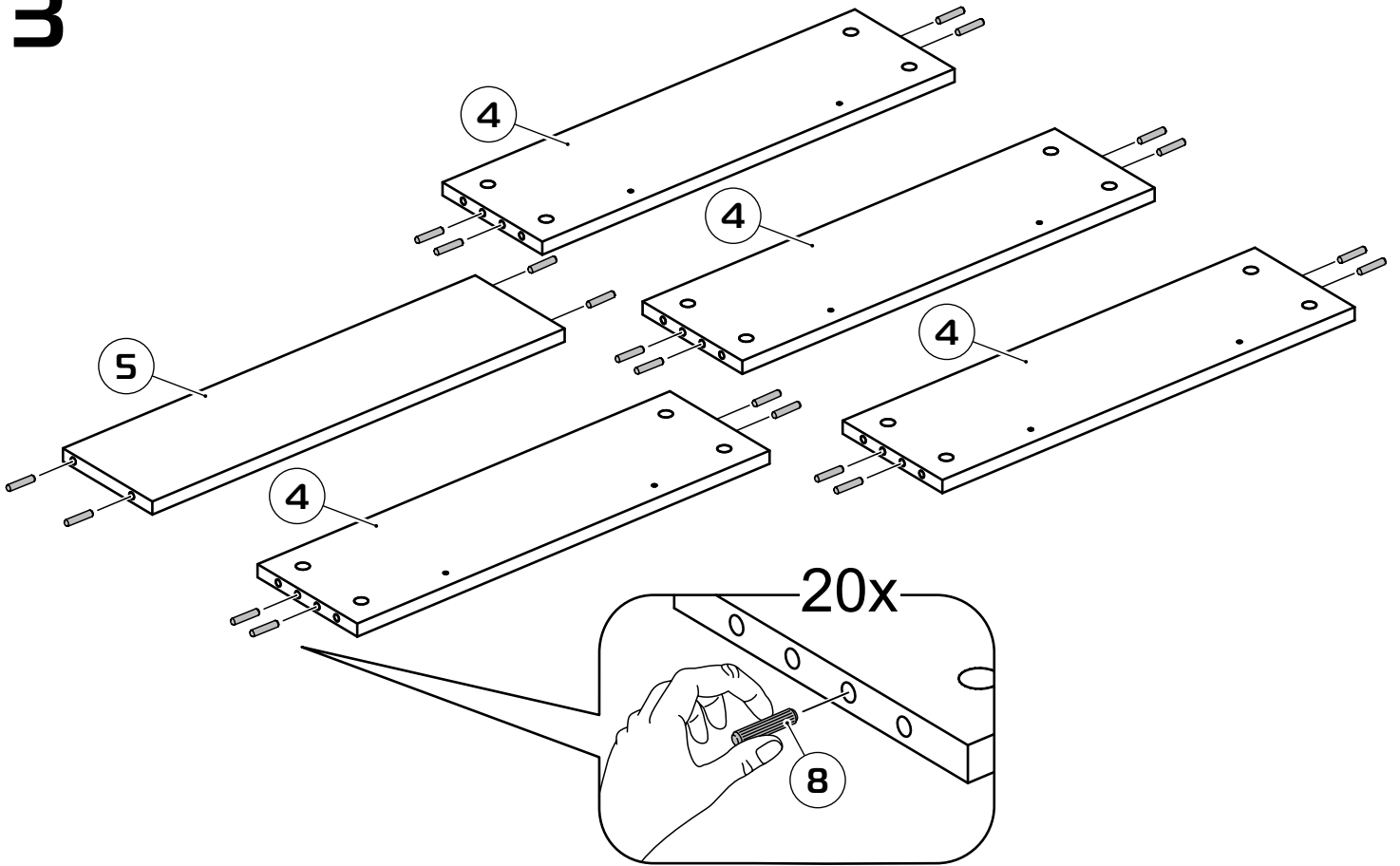
2

16x

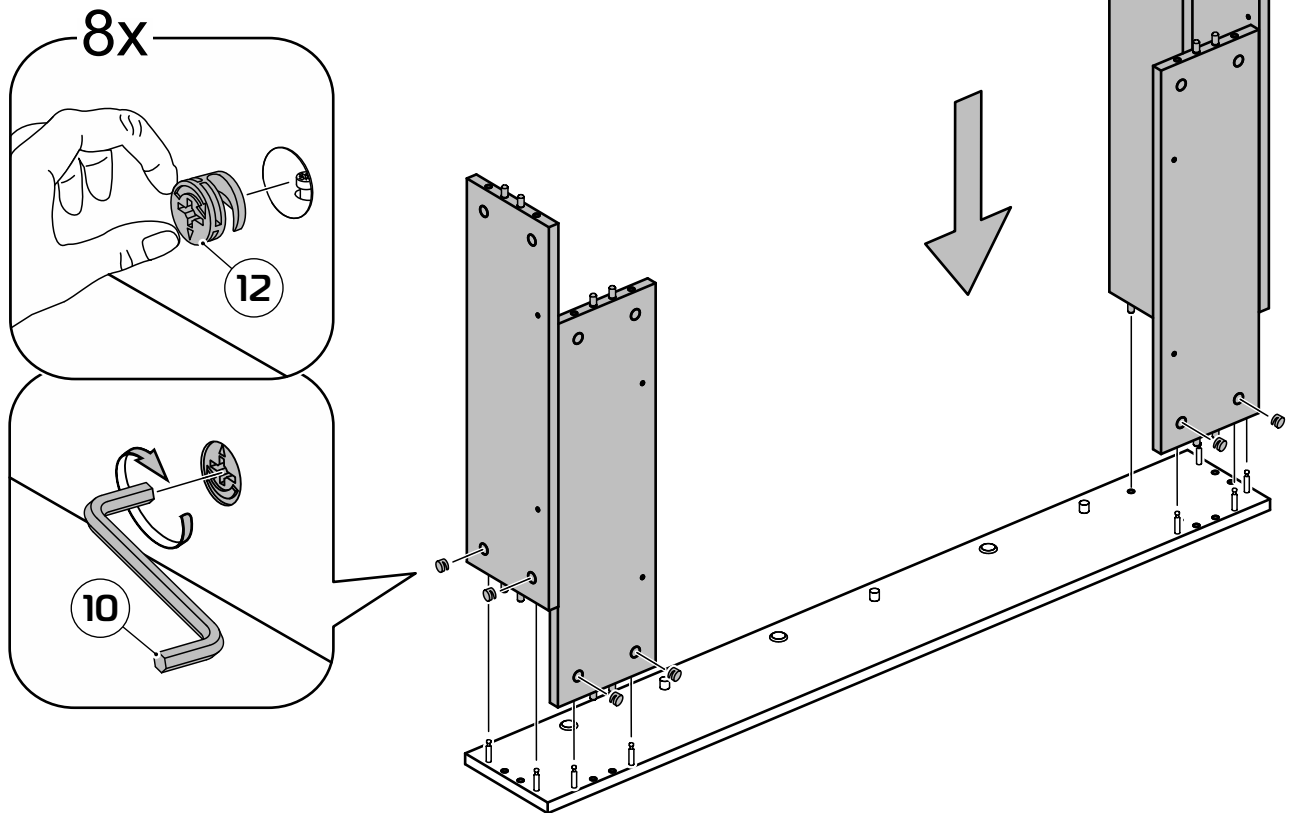
9



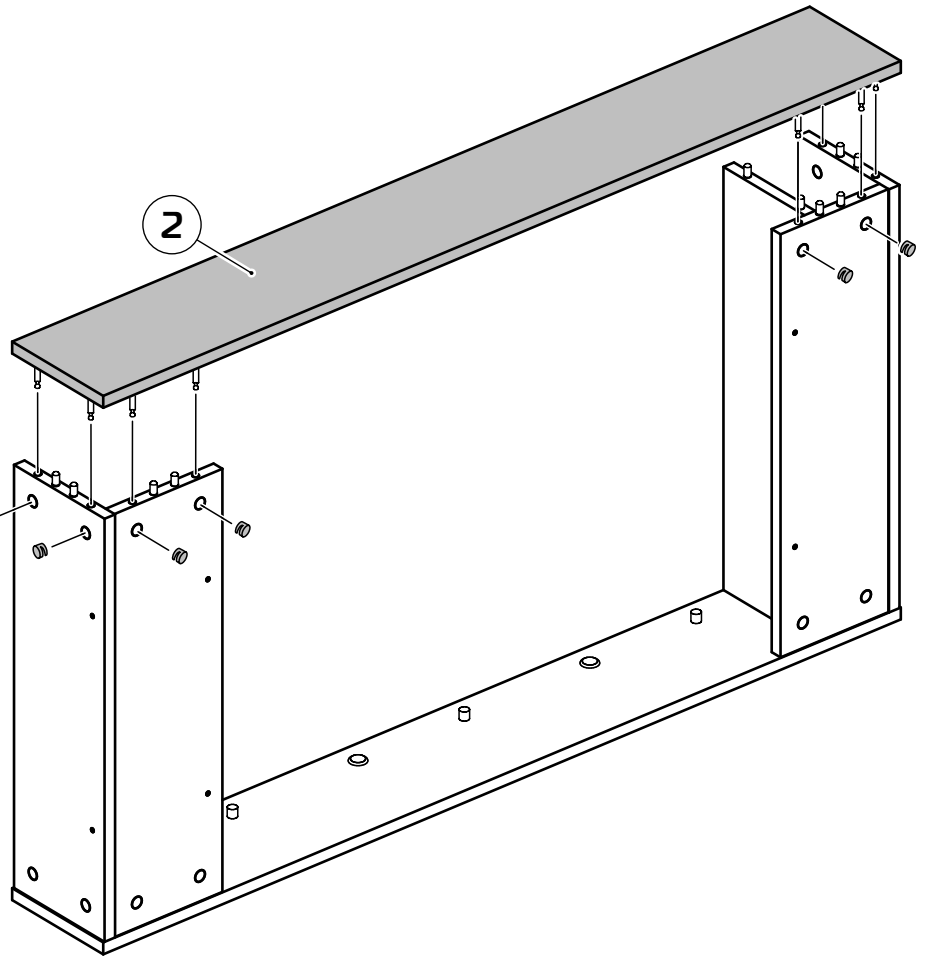
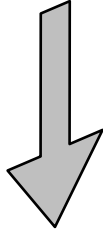
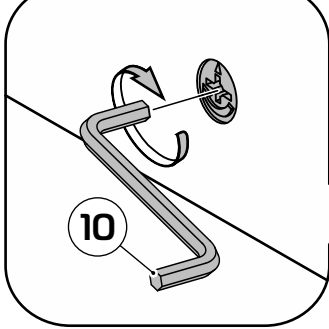
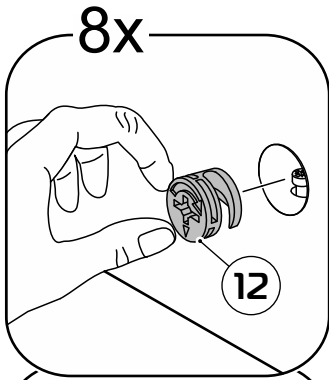
3



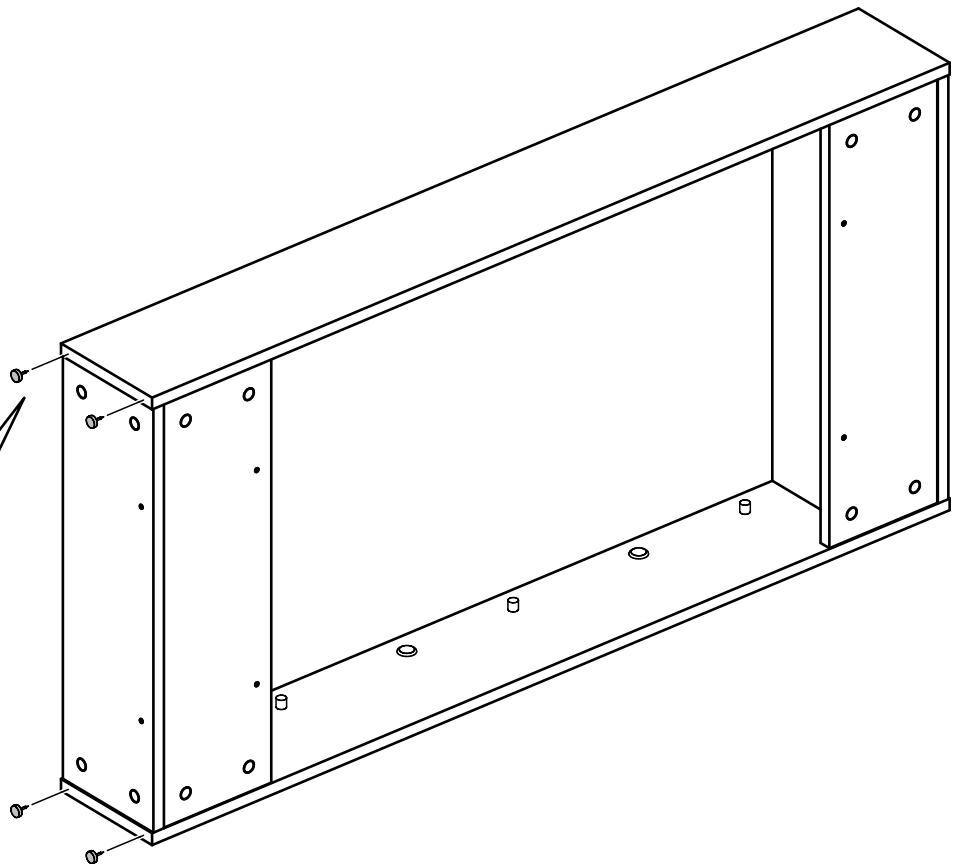
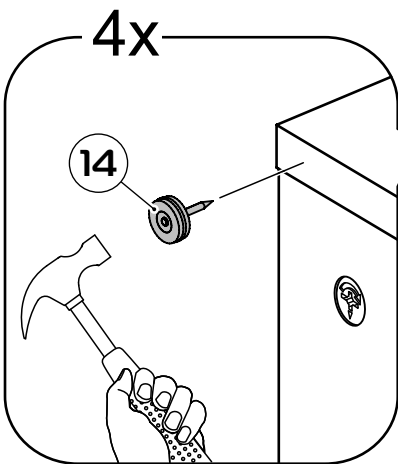
4



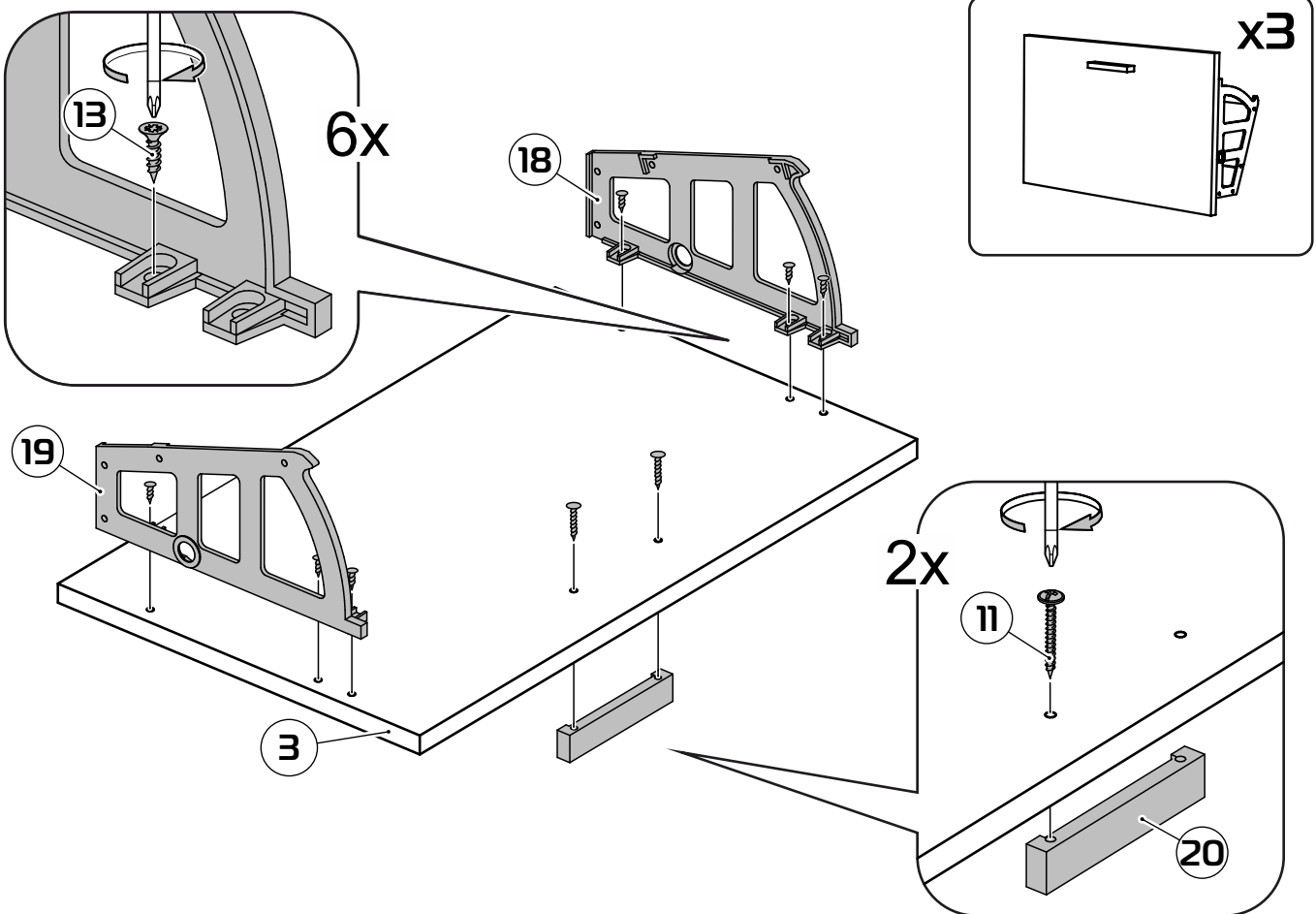
5



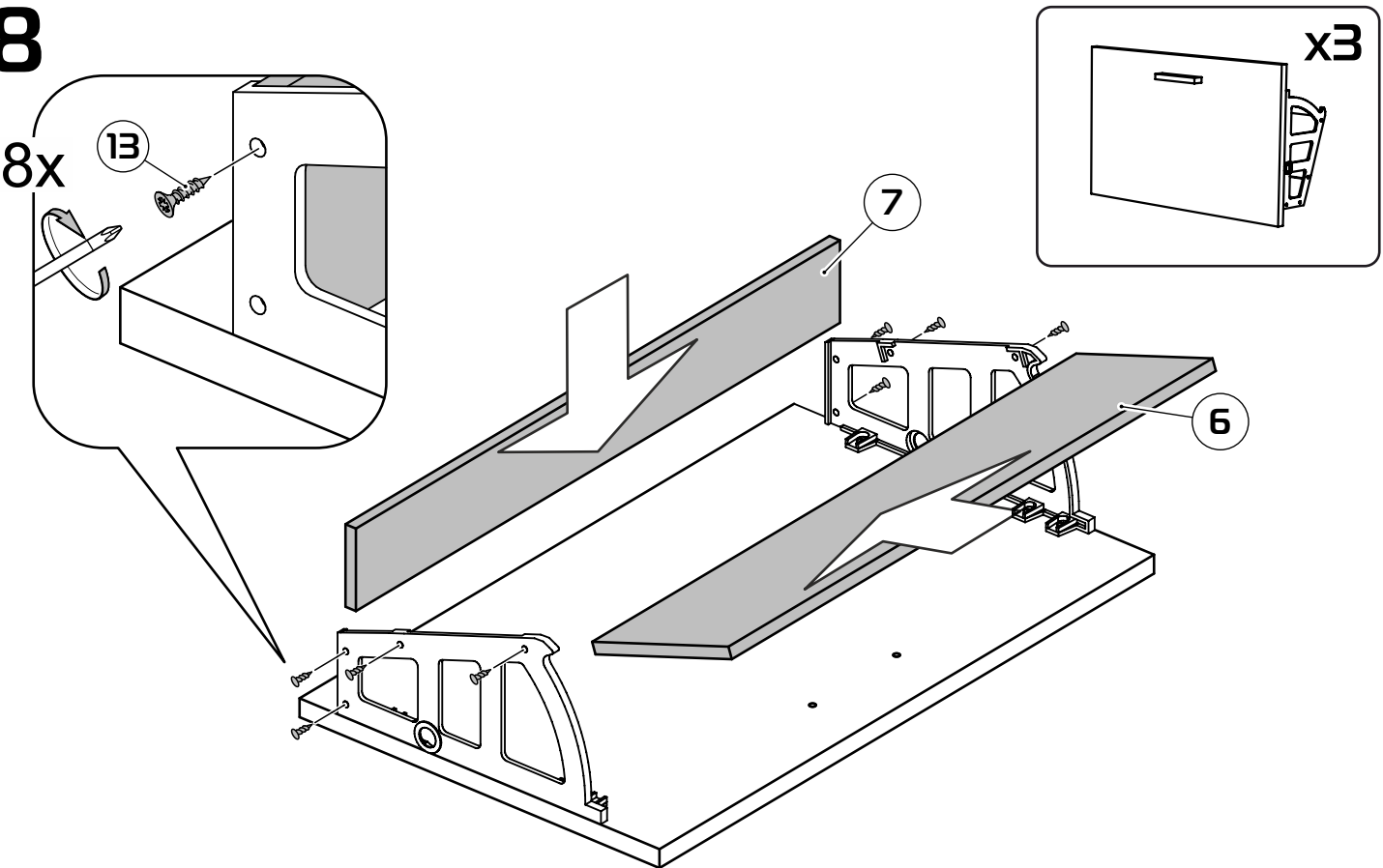
6



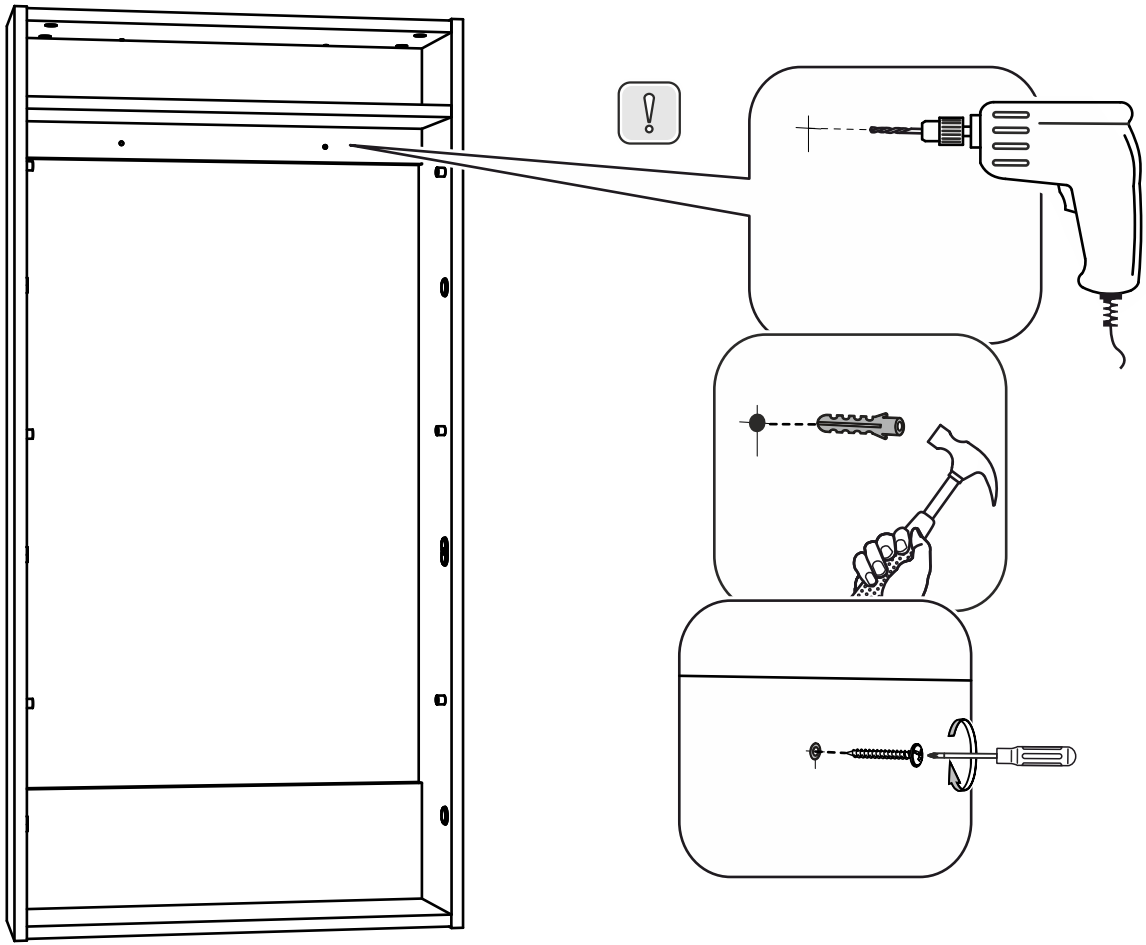
7



8



9



10

