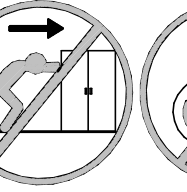
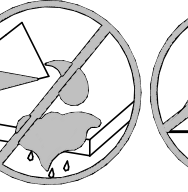
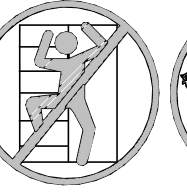
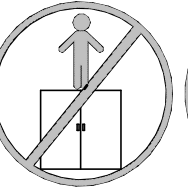
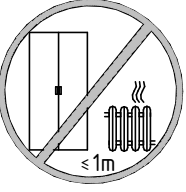
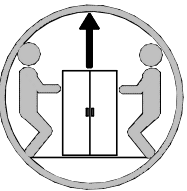
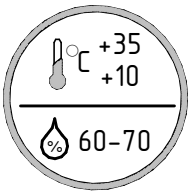
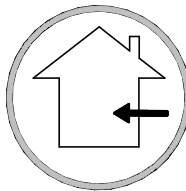
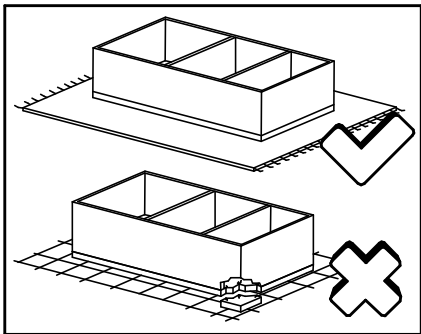
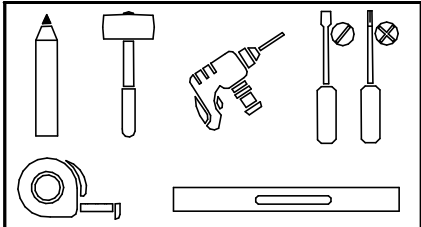
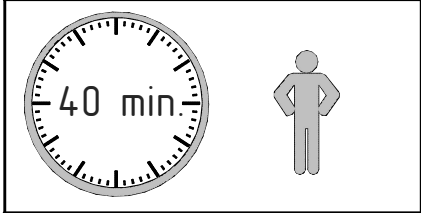
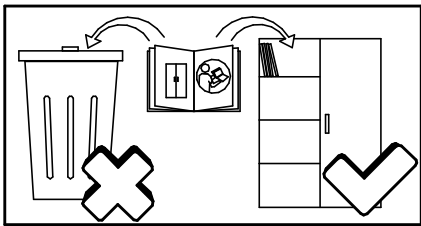
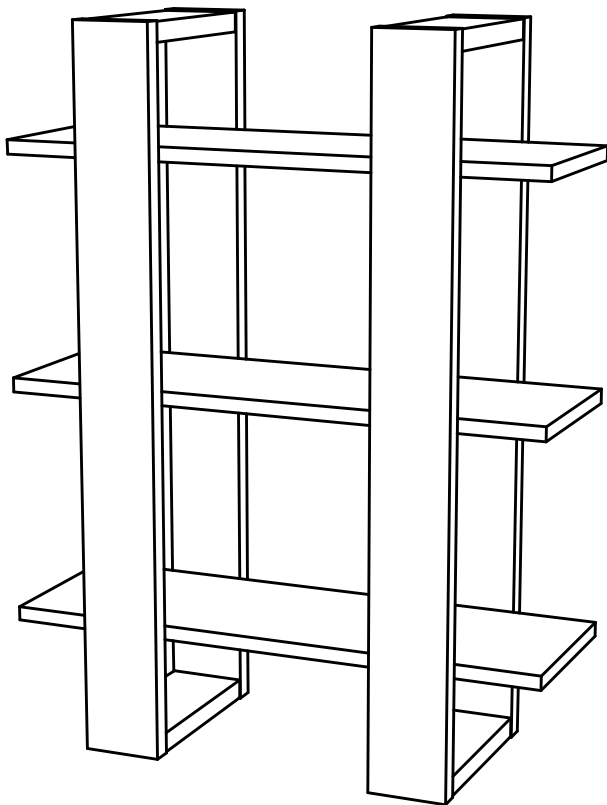
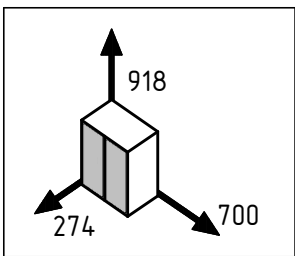
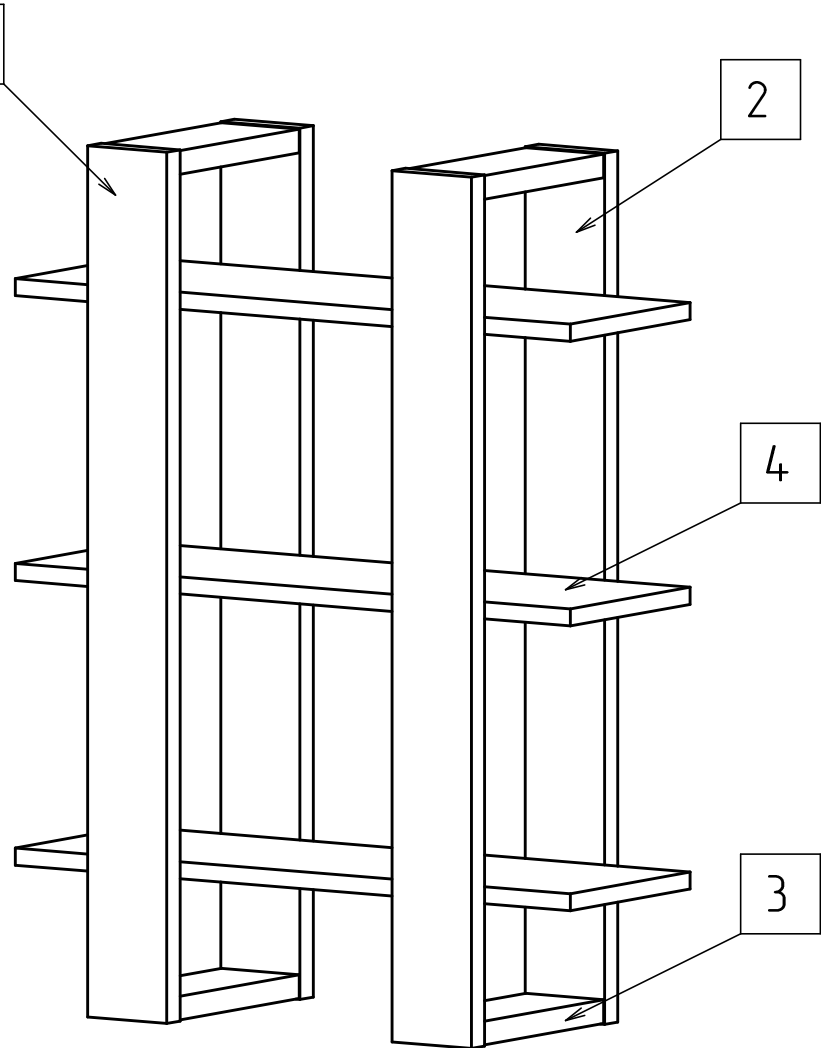
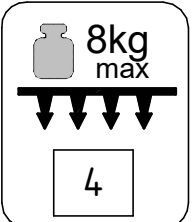
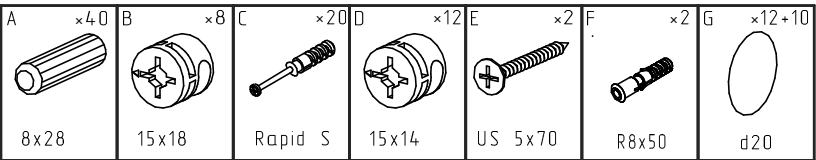


"TOSKANO" Art. 31.712



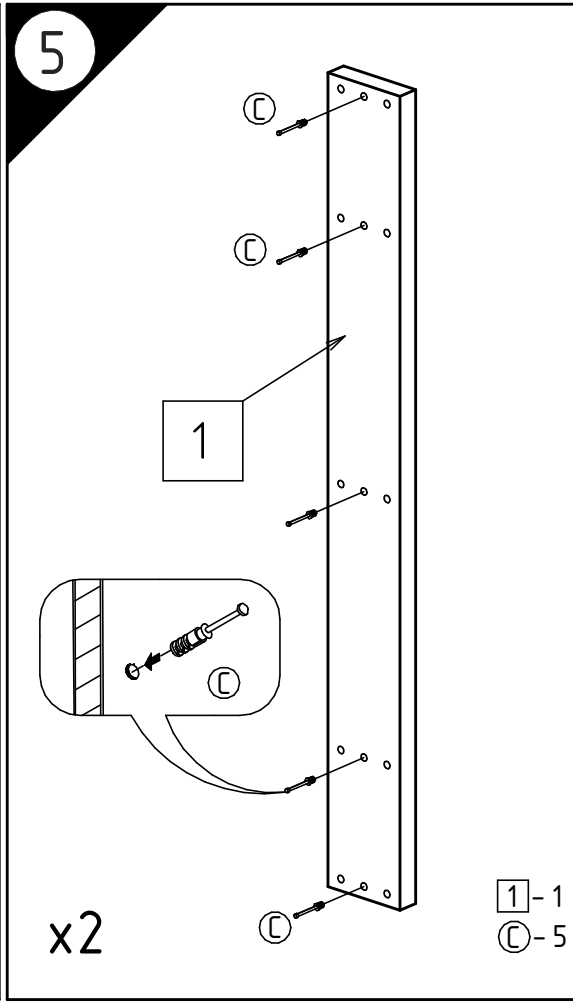
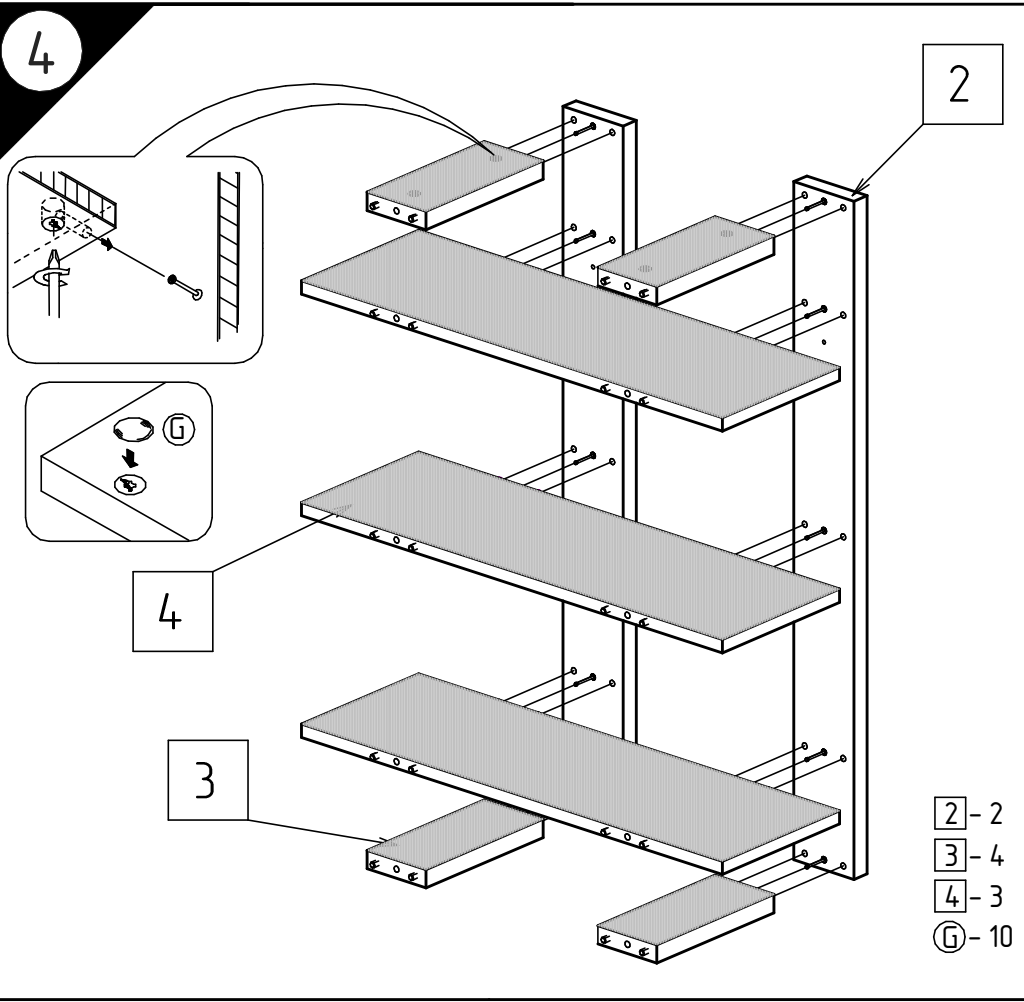
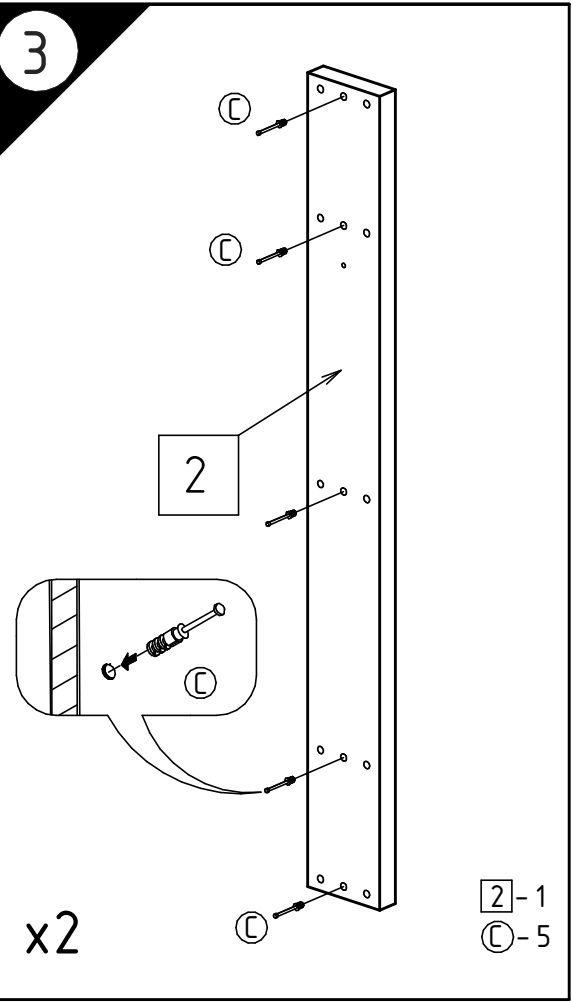
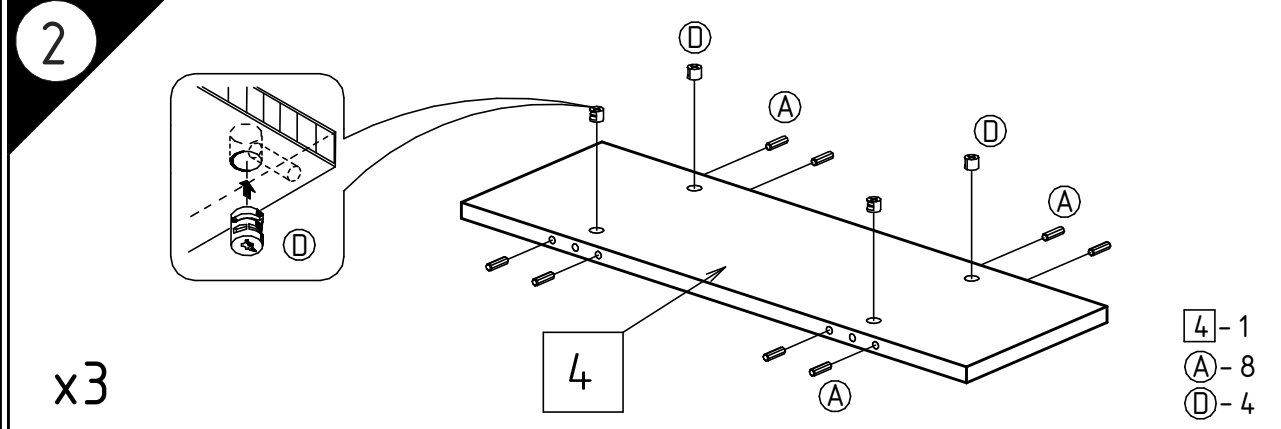
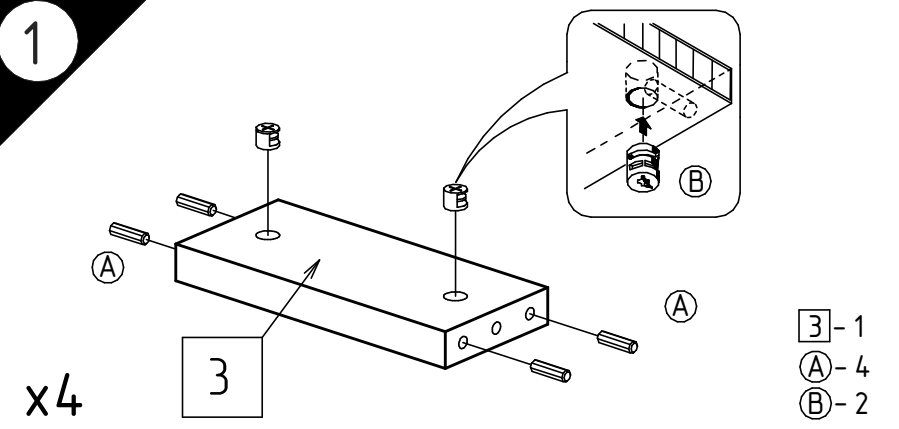
"TOSKANO" Art. 31.712



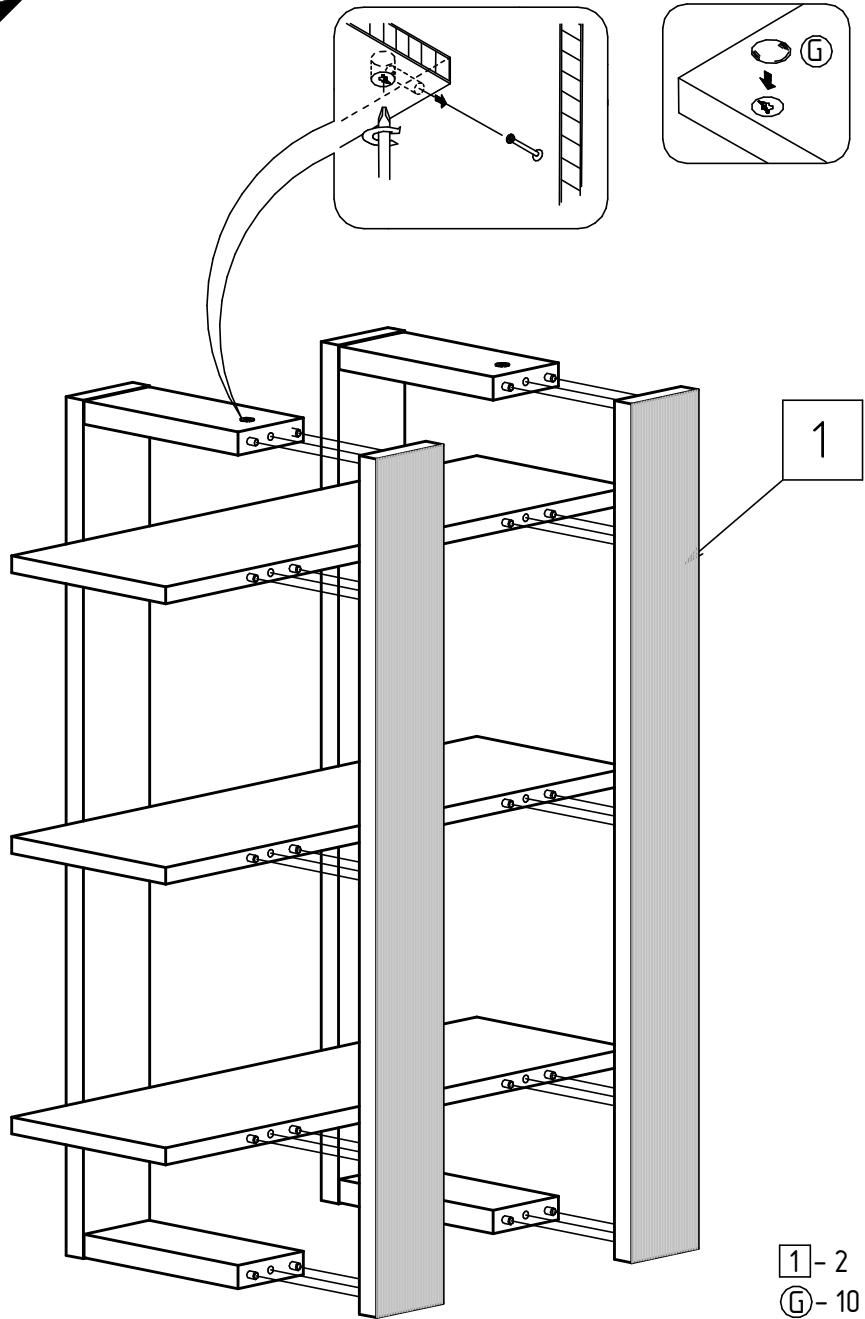
Packaging number	Contains	L*W*H	Quantity
1	4	700x224x18	3
2	1	918x100x25	2
	2	918x100x25	2
	3	224x98x25	4



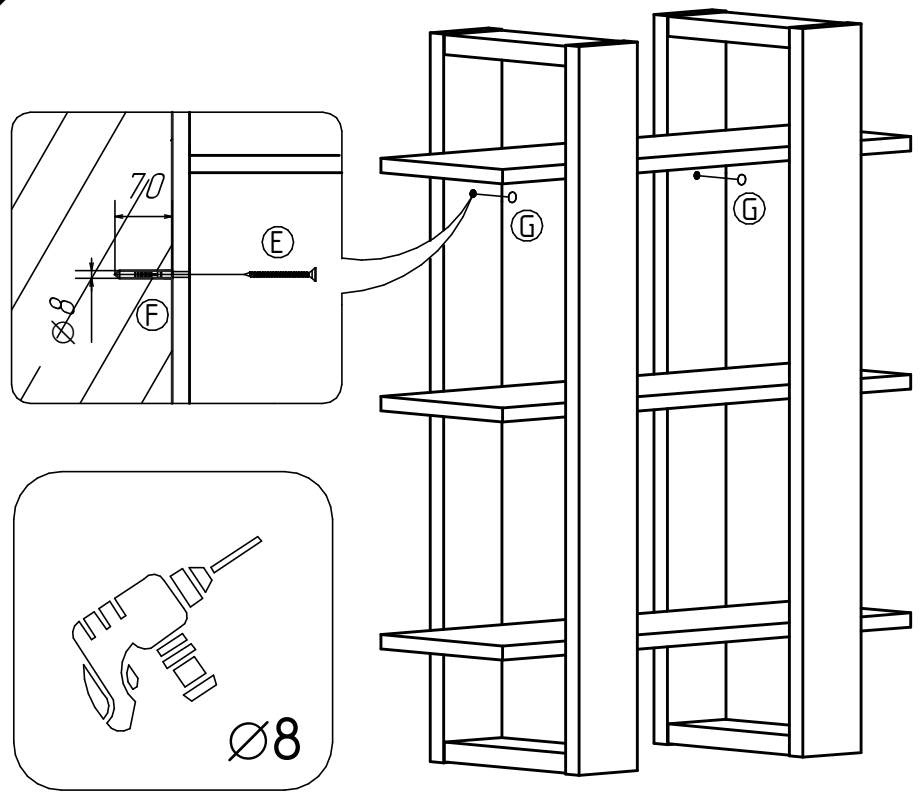
"TOSKANO" Art. 31.712



6



7



E - 2
F - 2
G - 2