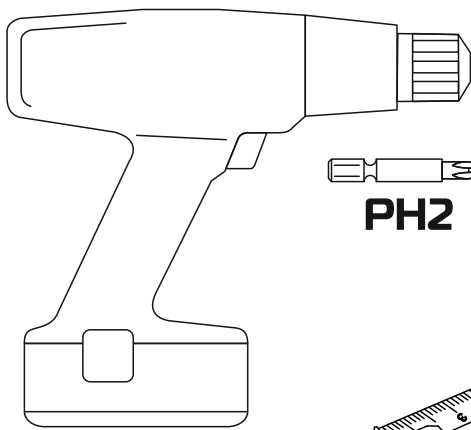
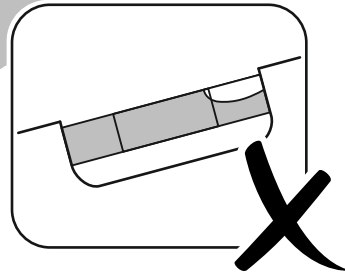
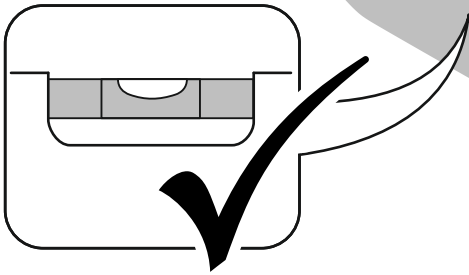
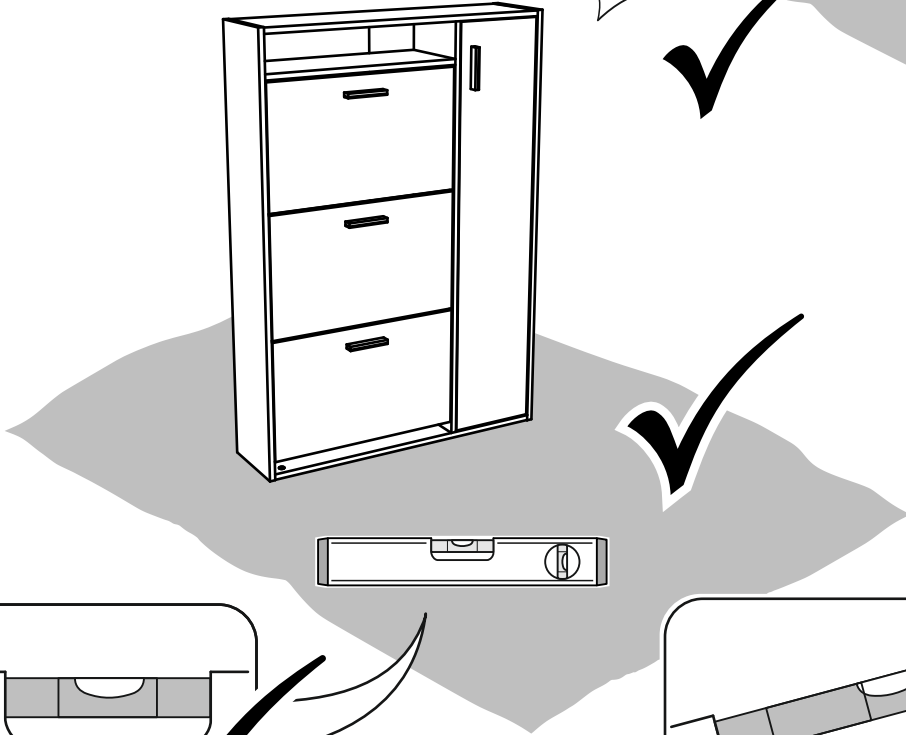
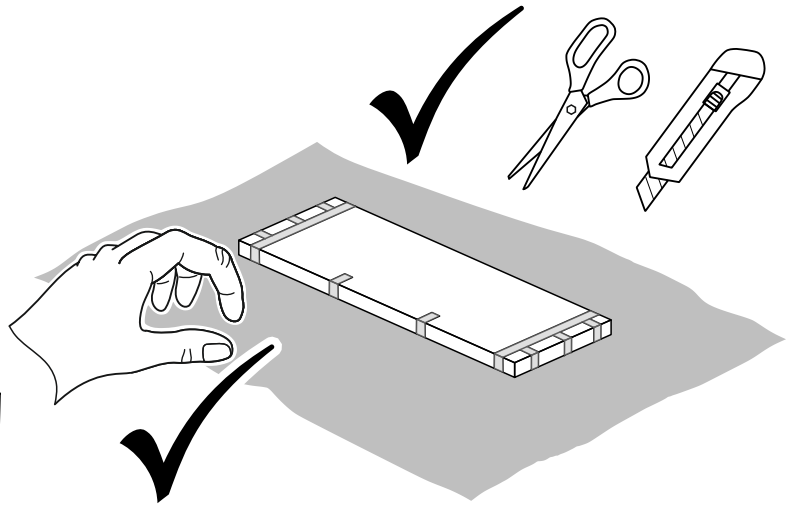
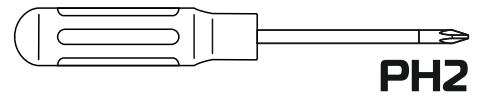
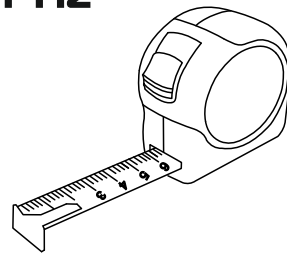


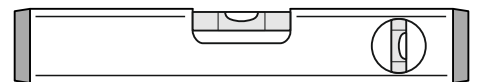
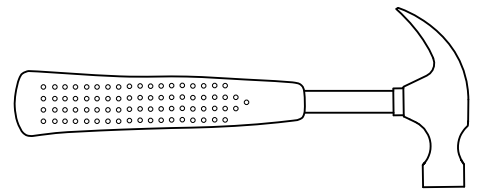
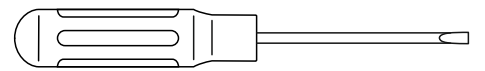
45-60 min

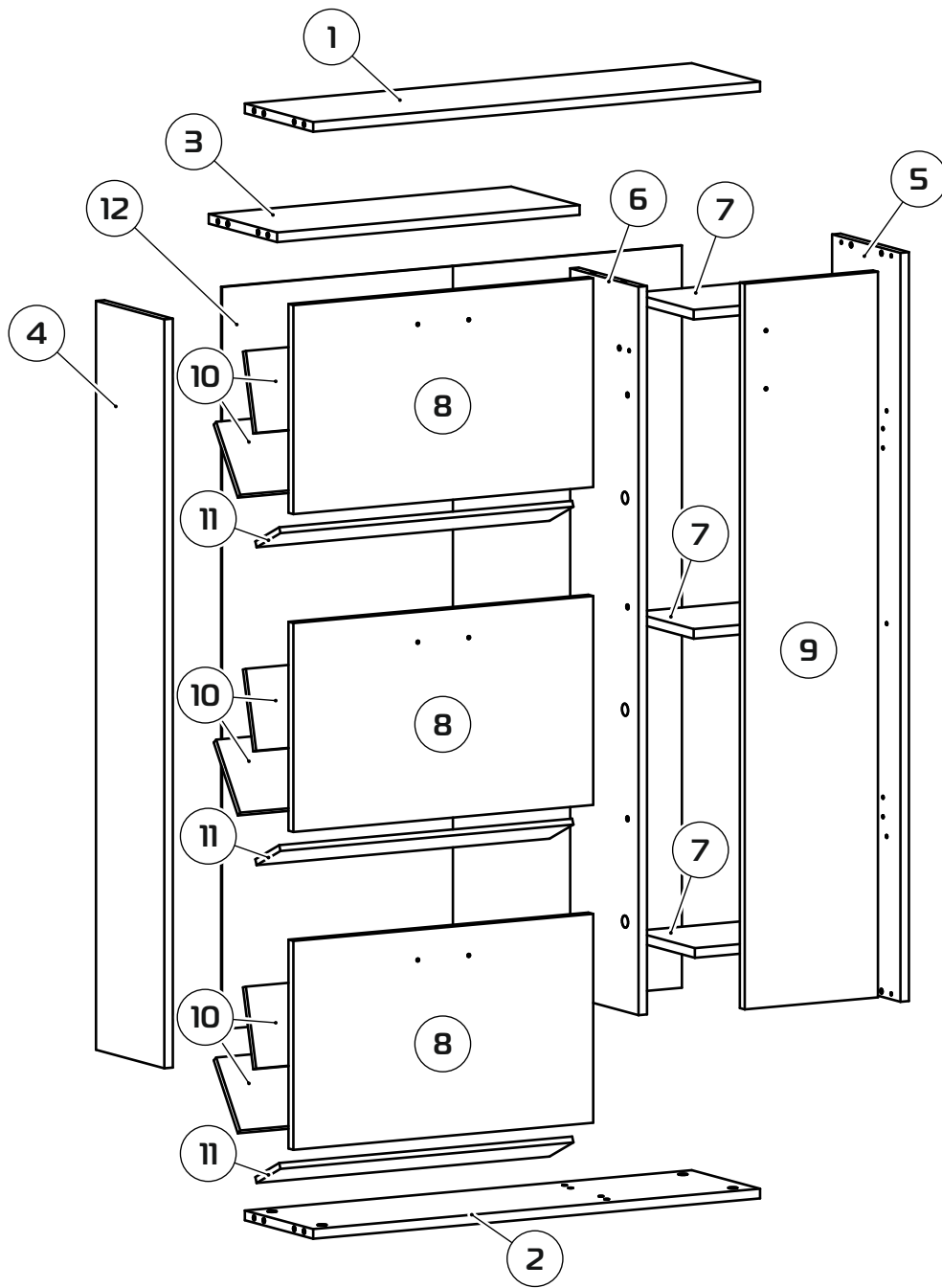


PH2



PH2





① 842x223x16 (x1)

② 842x223x16 (x1)

③ 570x223x16 (x1)

④ 1237x223x16 (x1)

⑤ 1237x223x16 (x1)

⑥ 1199x223x16 (x1)

⑦ 255x205x16 (x3)

⑧ 565x345x16 (x3)

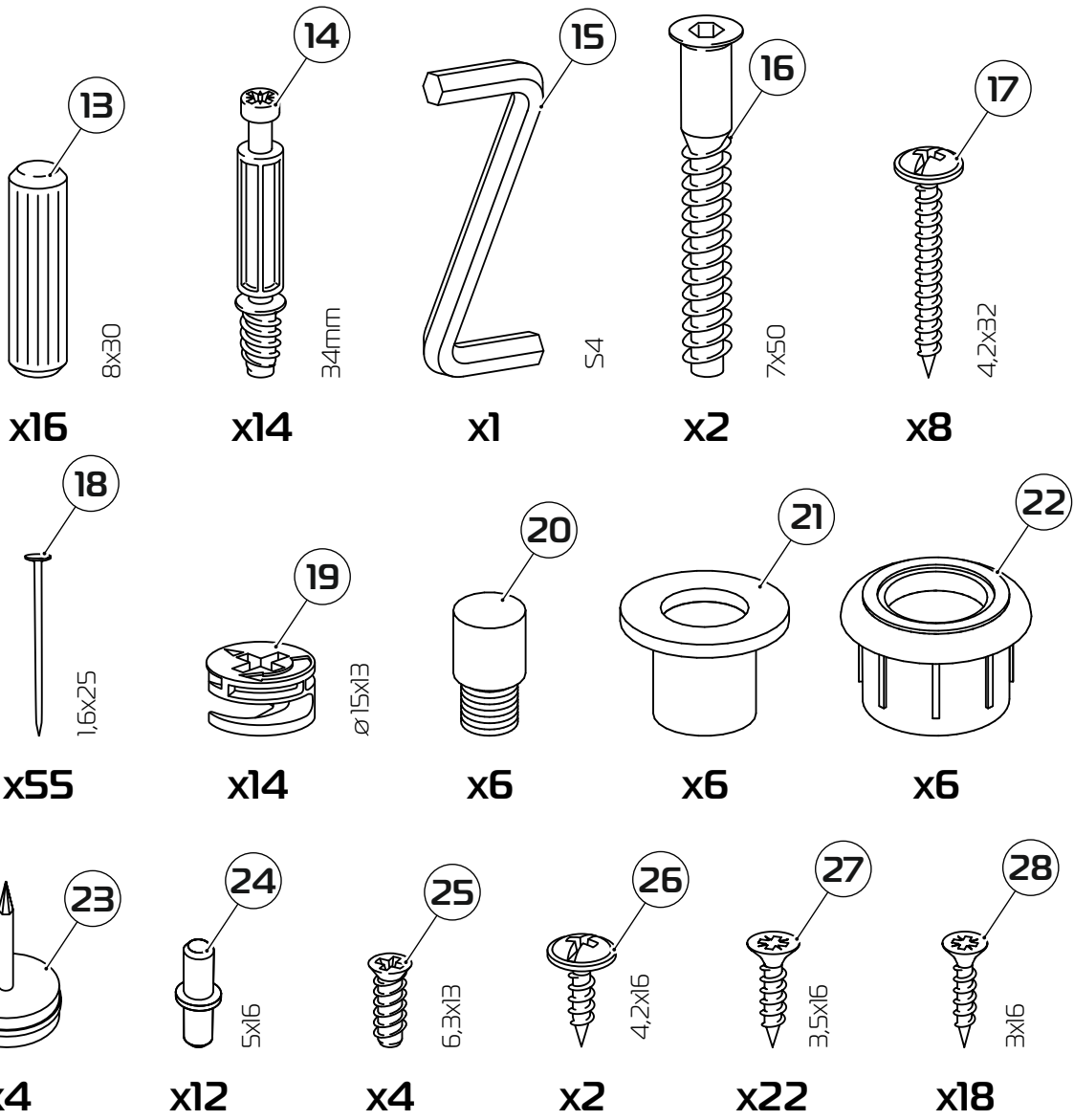
⑨ 1193x251x16 (x1)

⑩ 552x135x10 (x6)

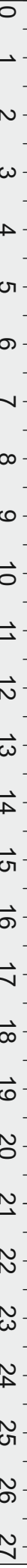
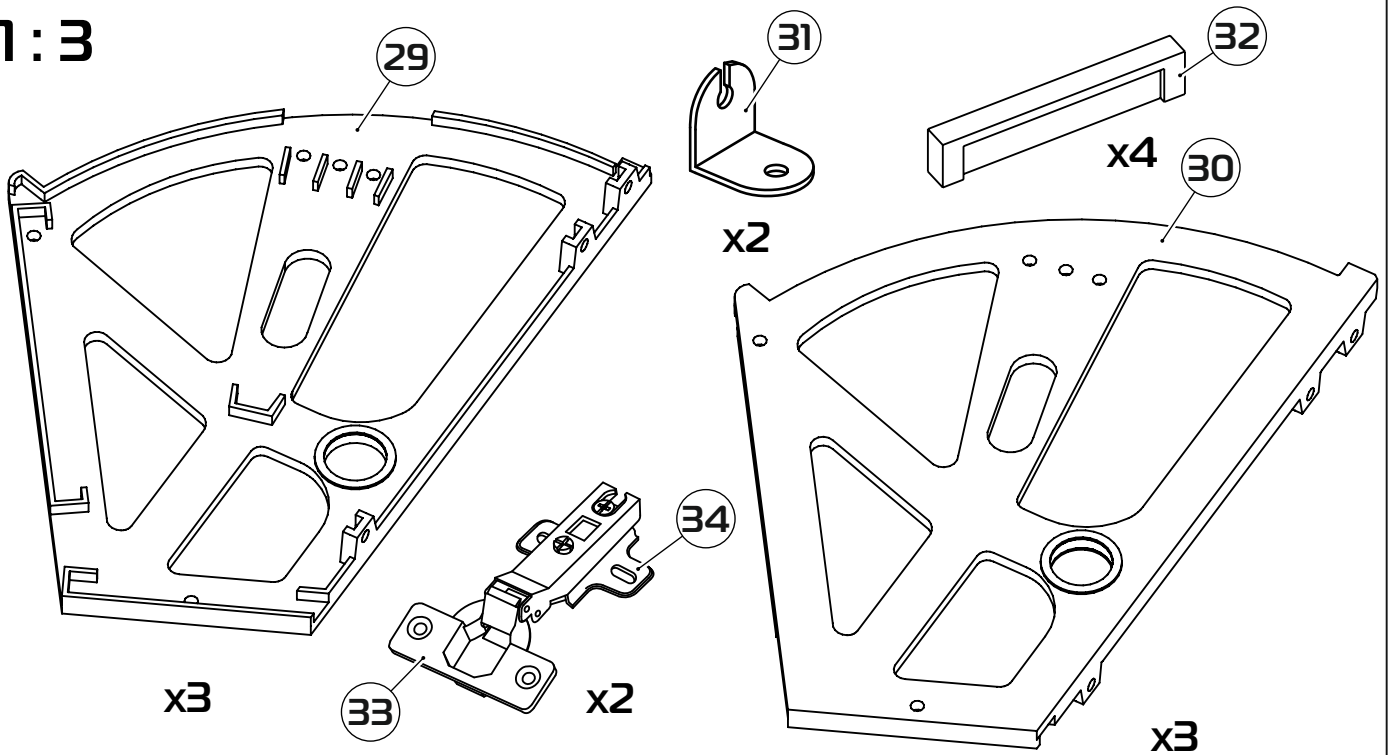
⑪ 552x85x10 (x3)

⑫ 1226x870x3 (x1)

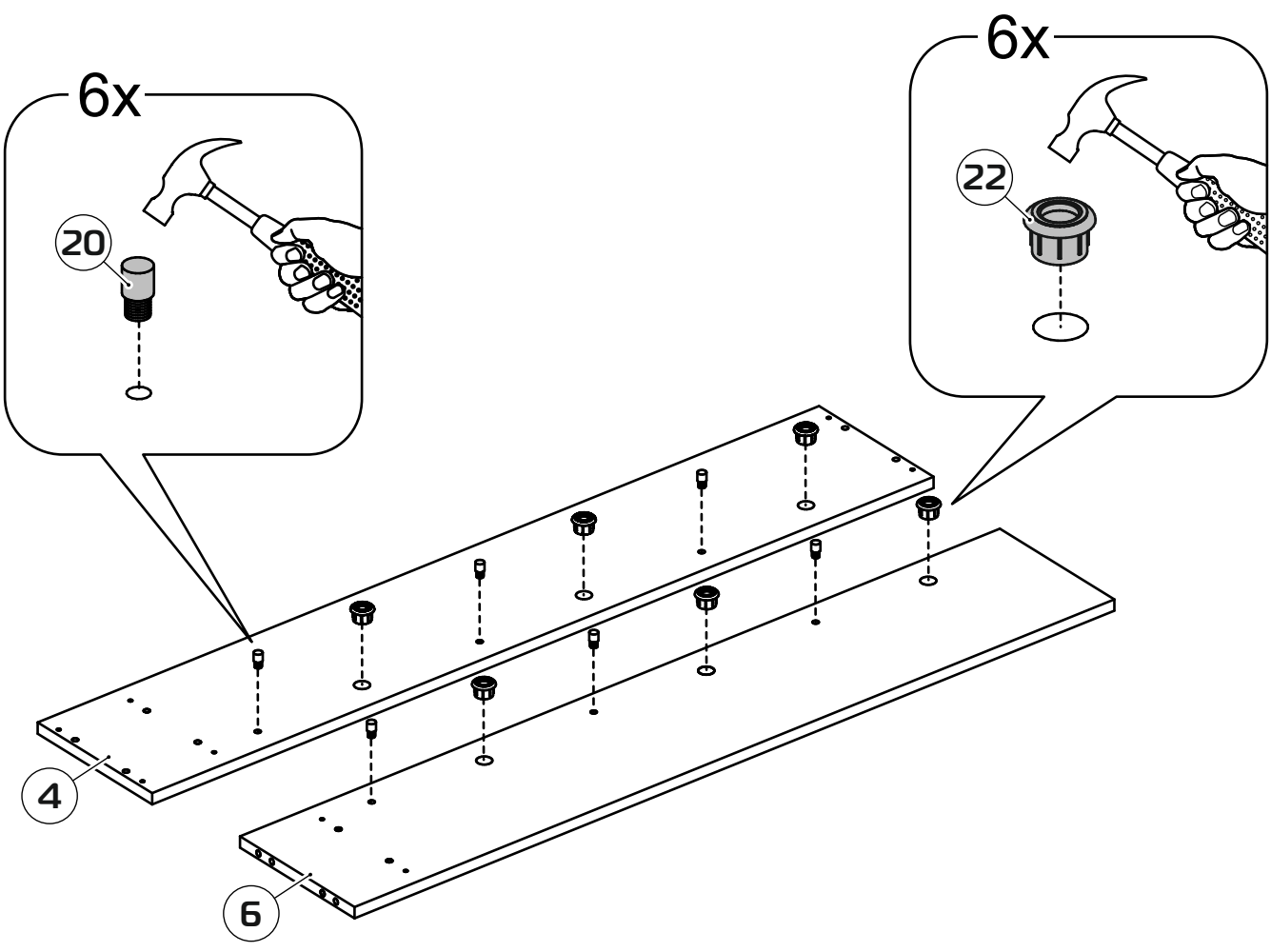
1:1



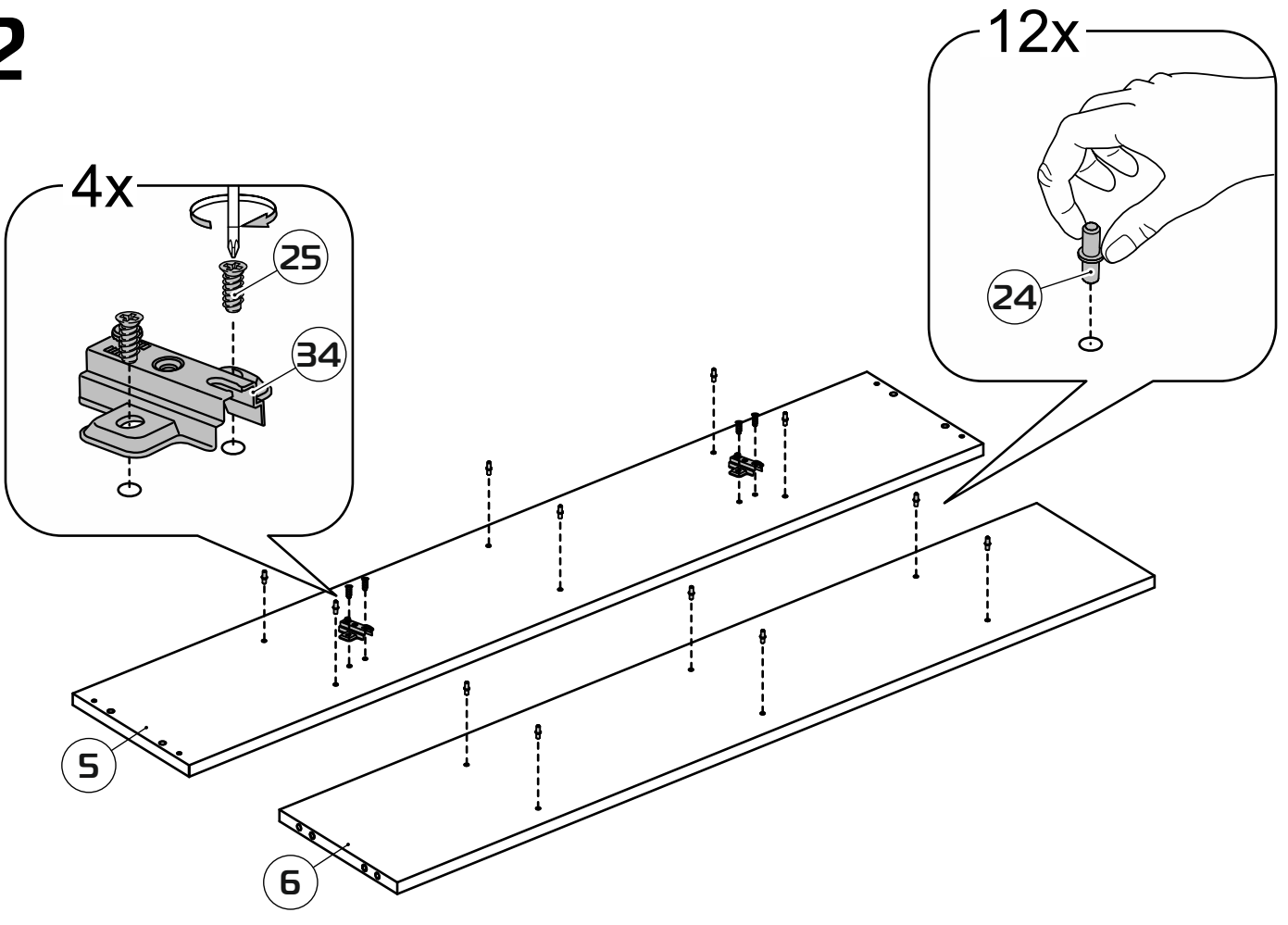
1:3



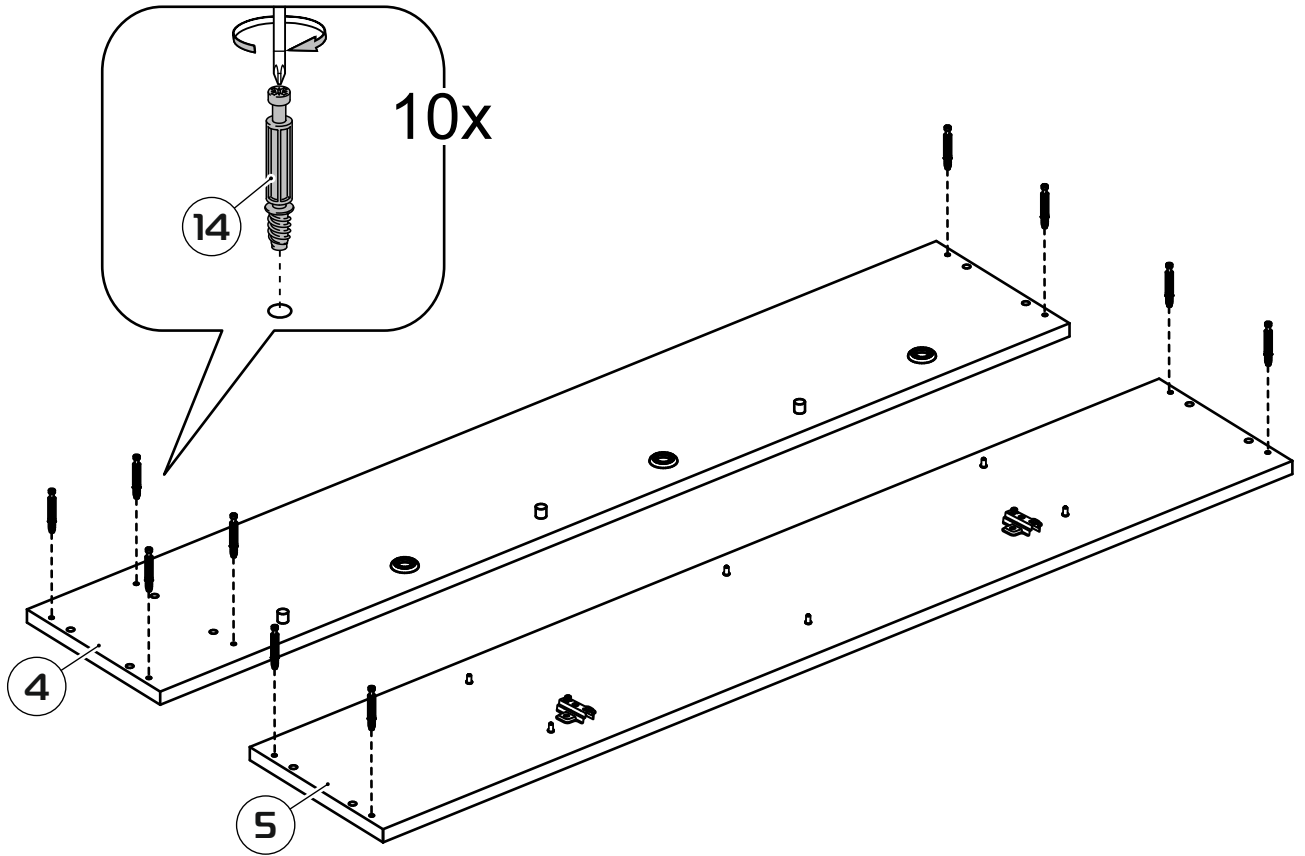
1



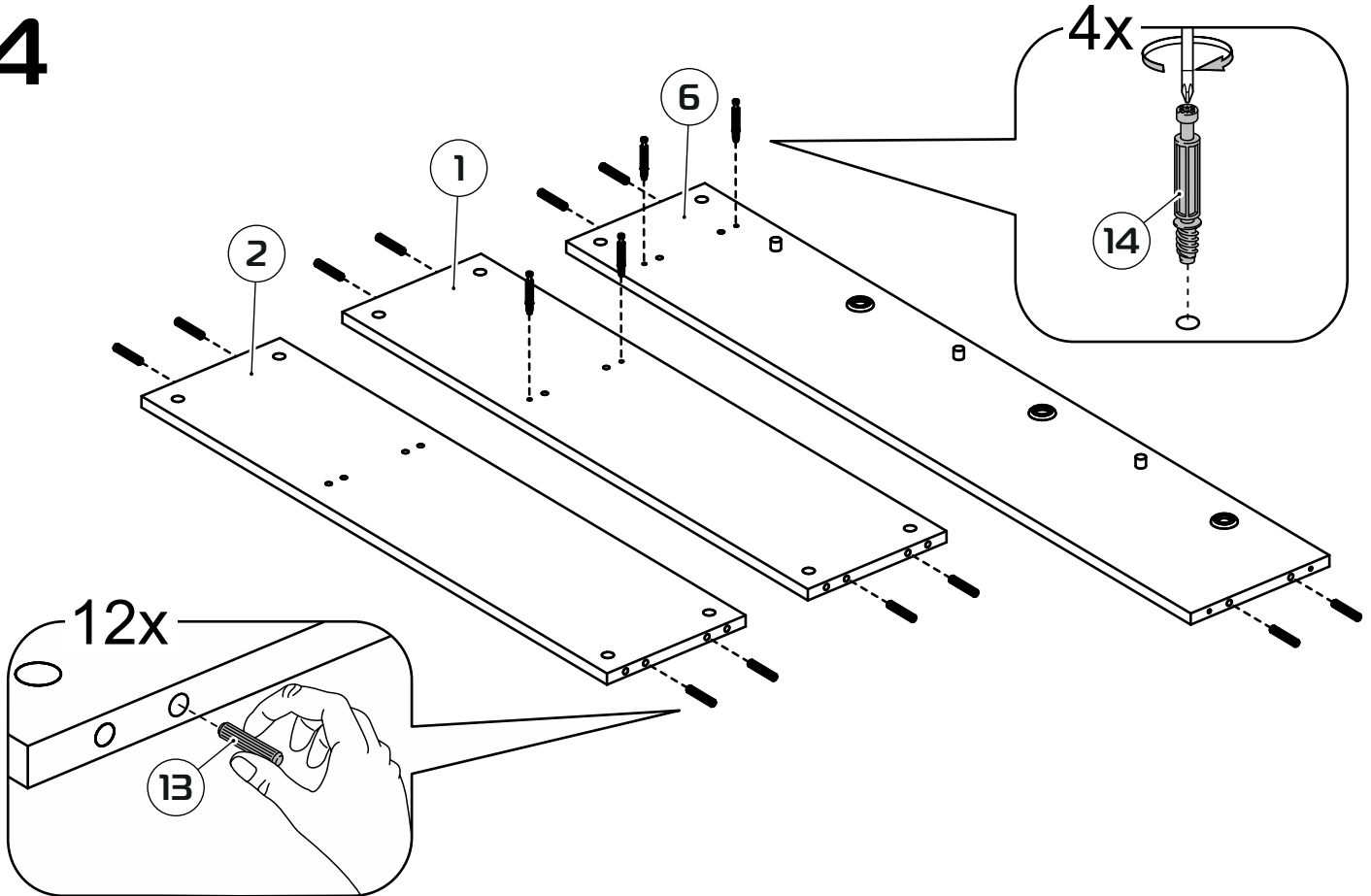
2



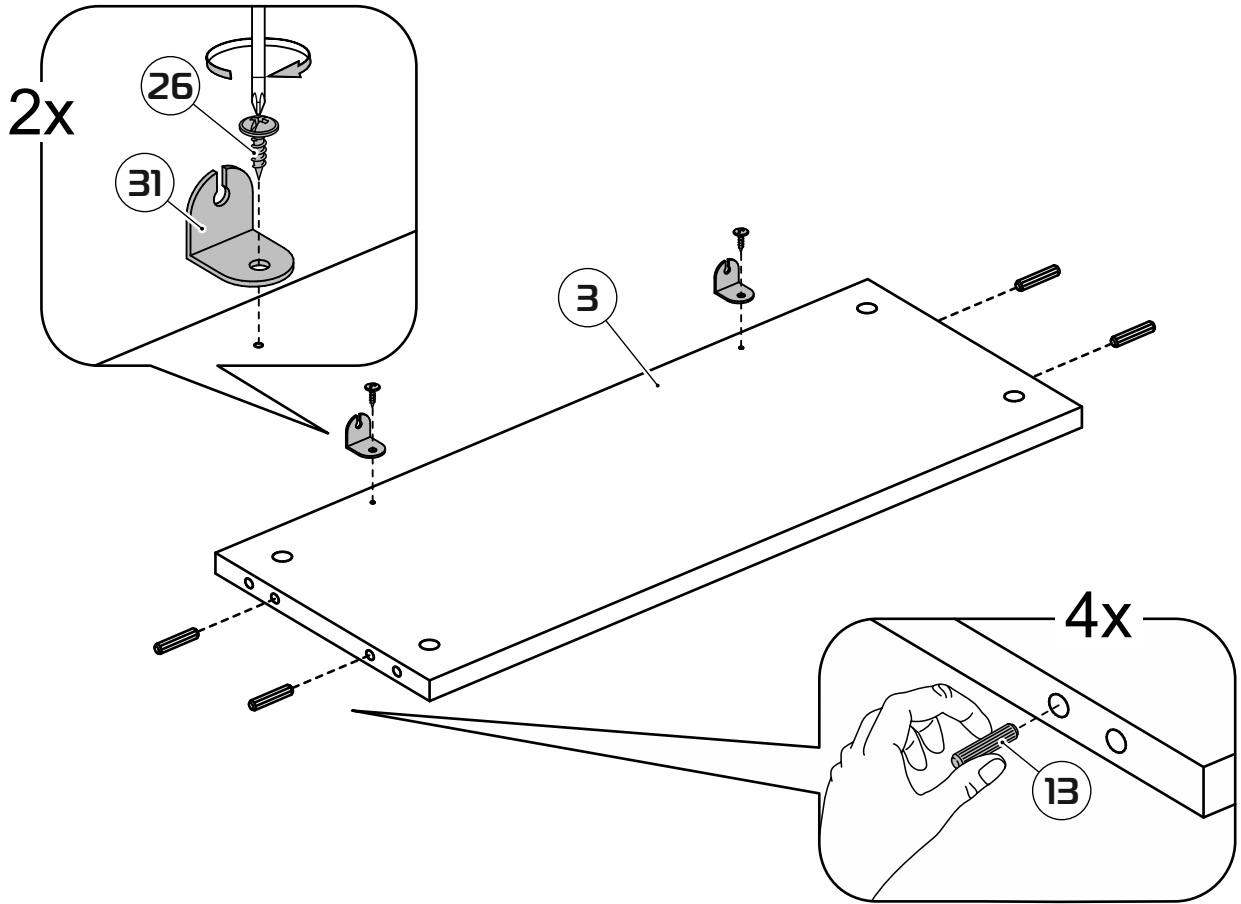
3



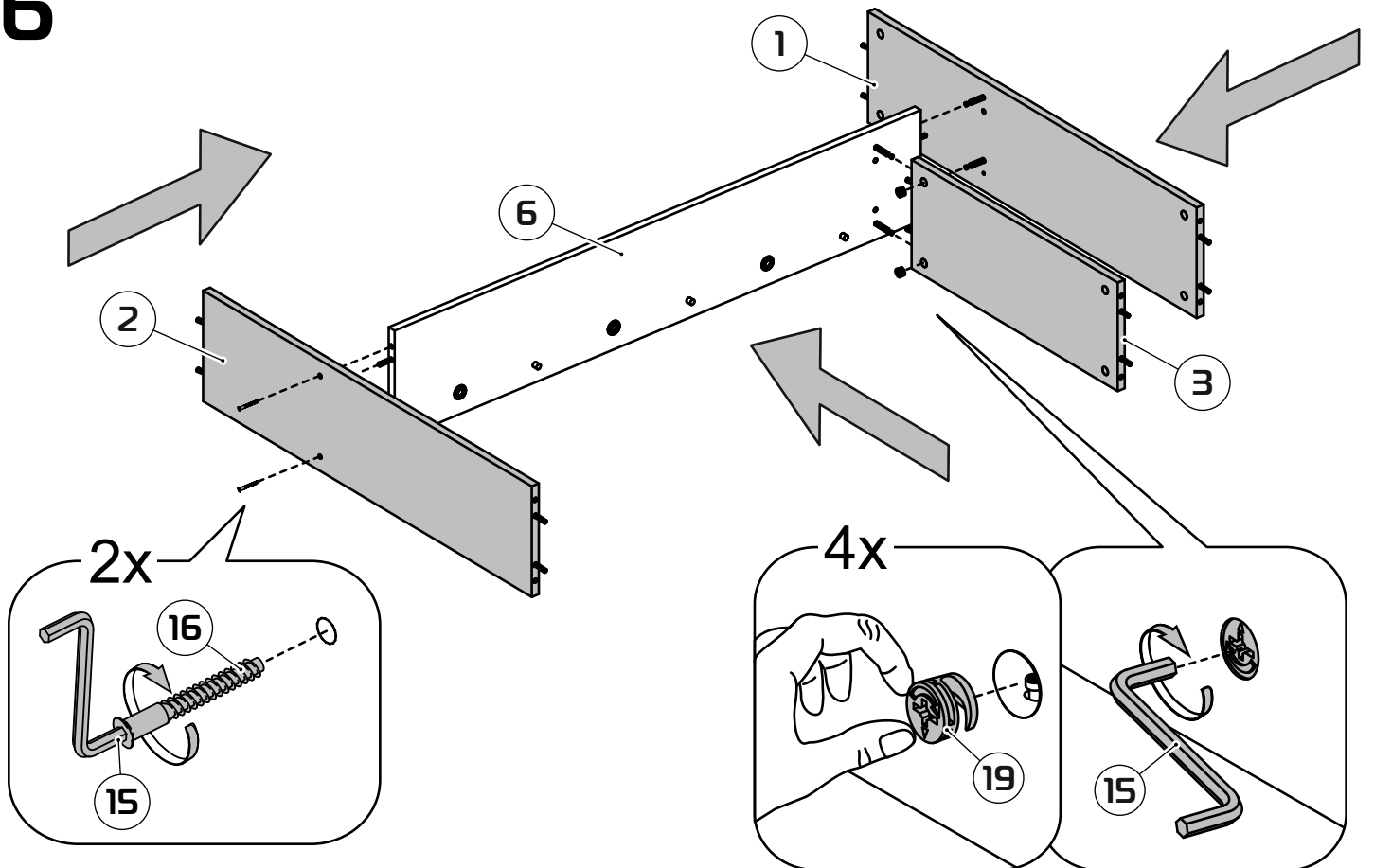
4



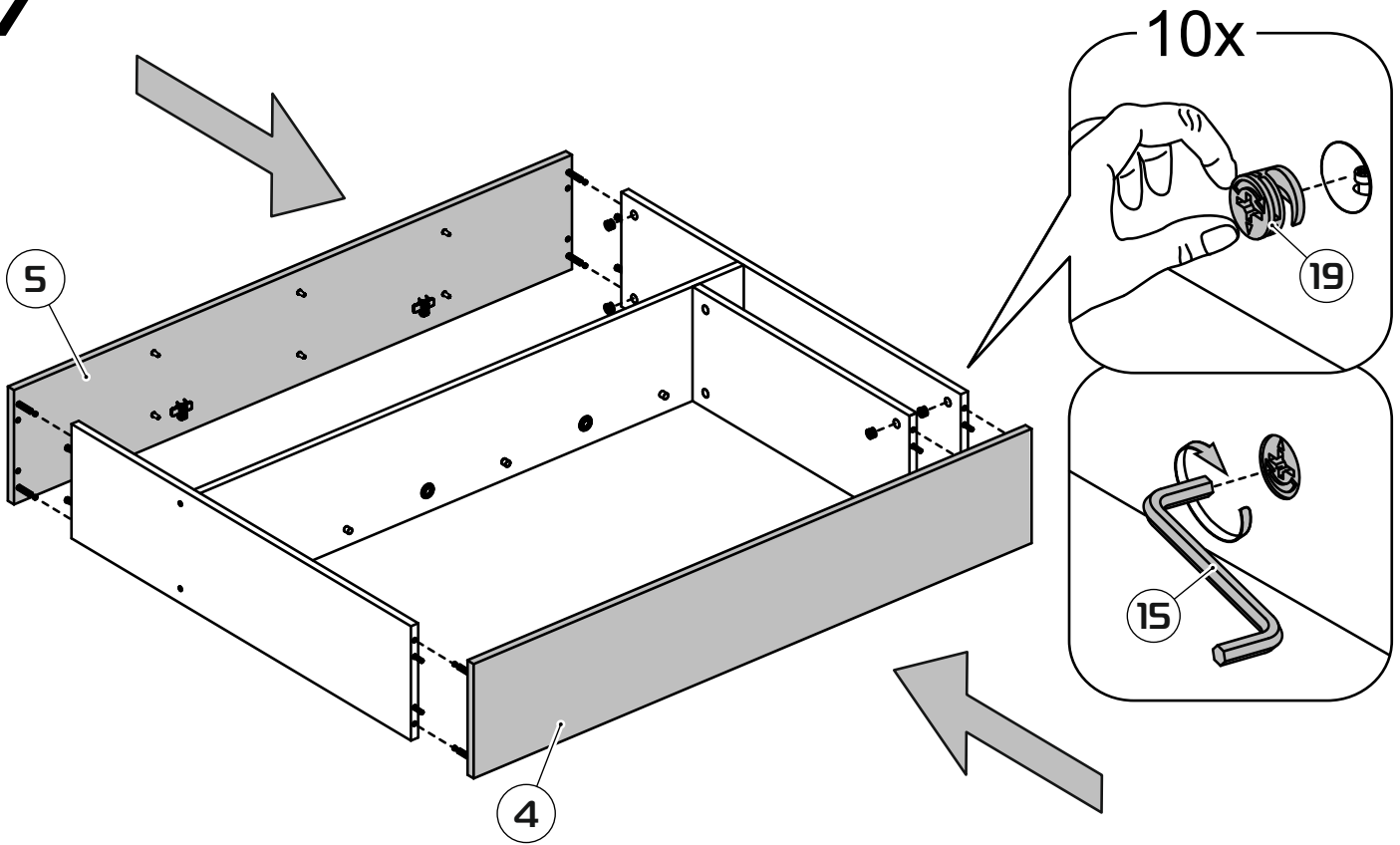
# 5



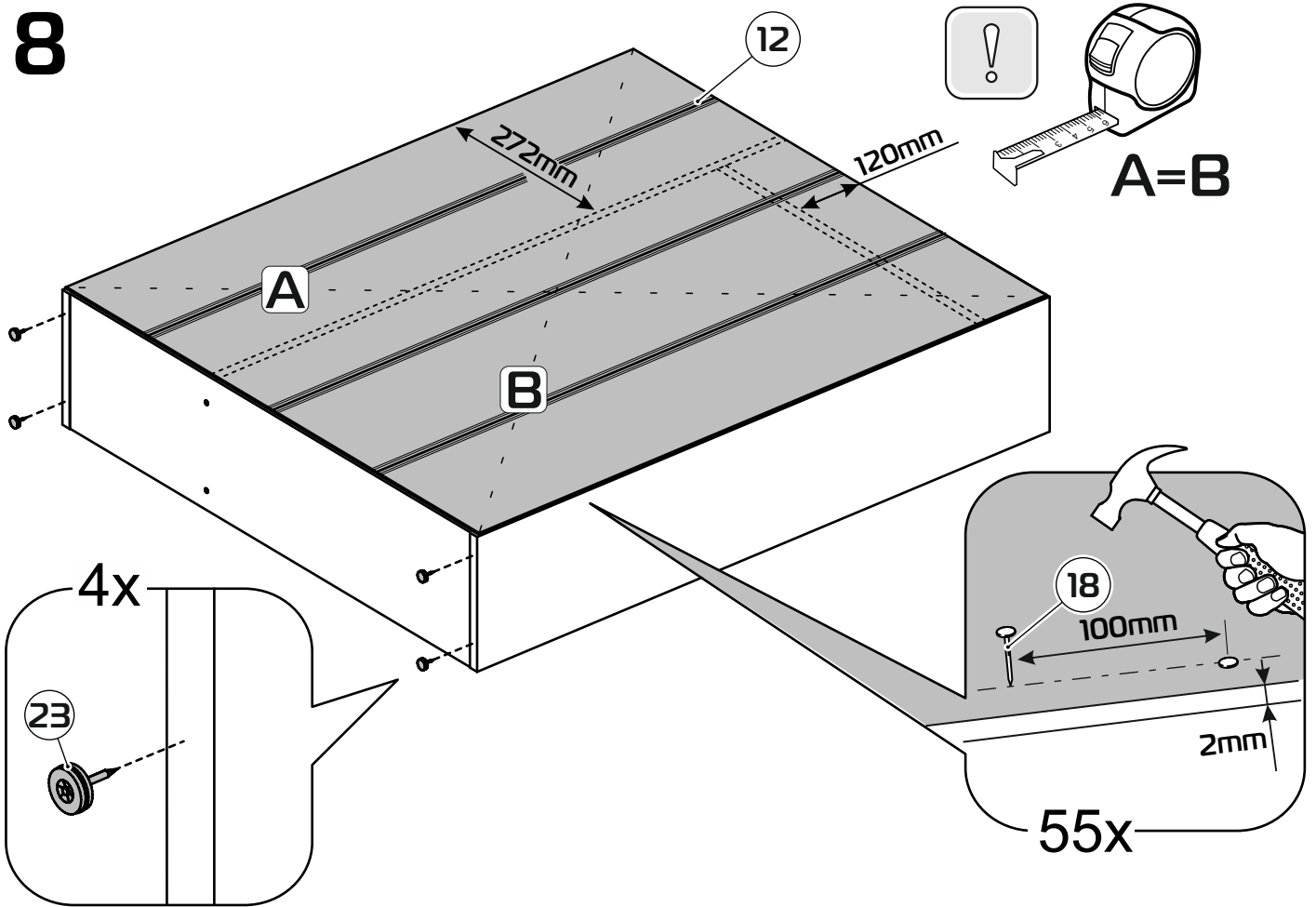
# 6

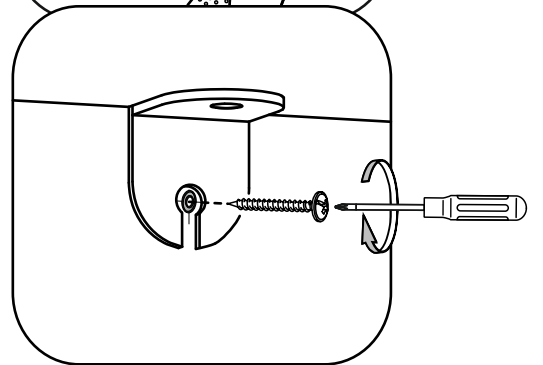
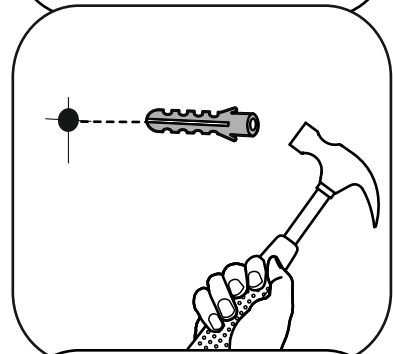
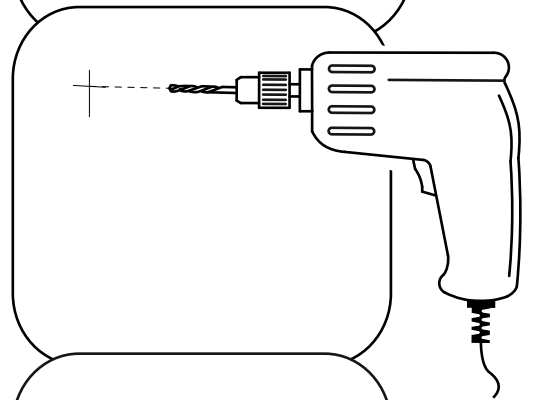
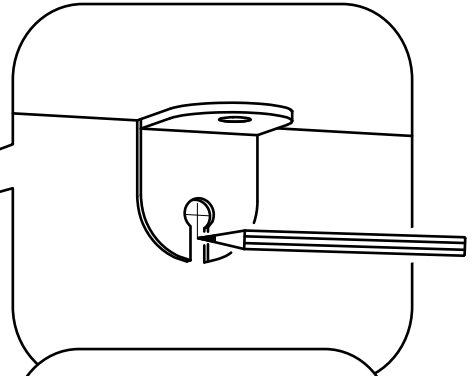
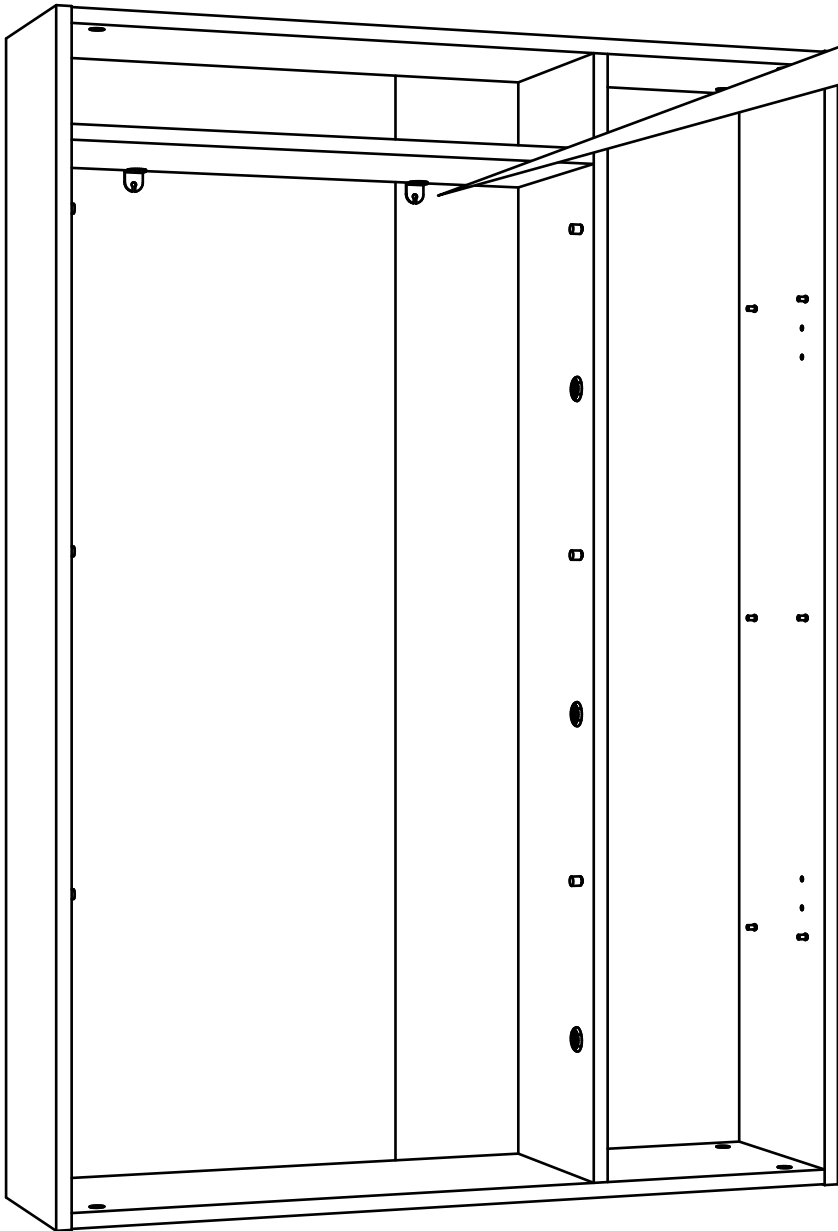


7



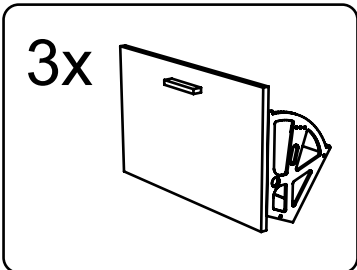
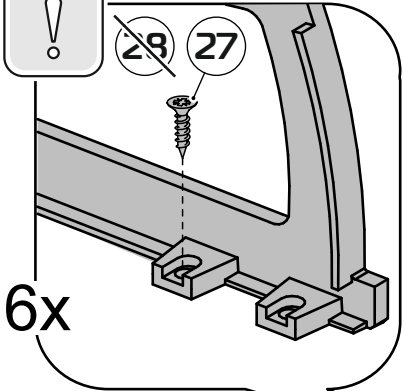
8







10

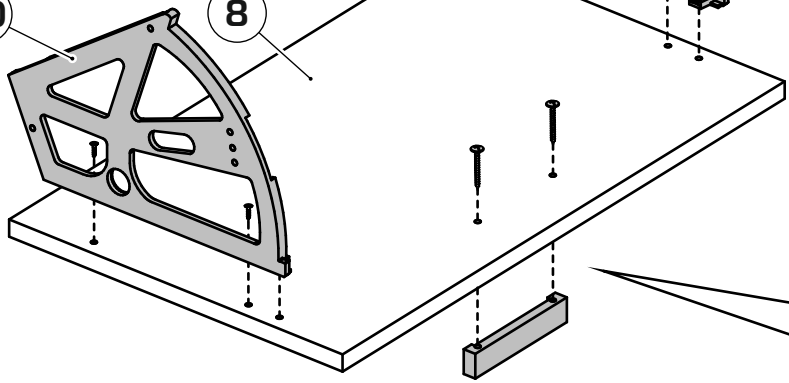


6x

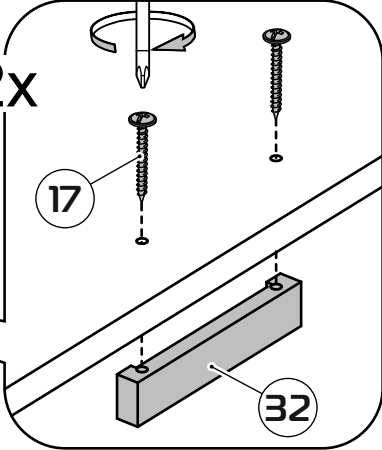
29

30

8



2x



17

32

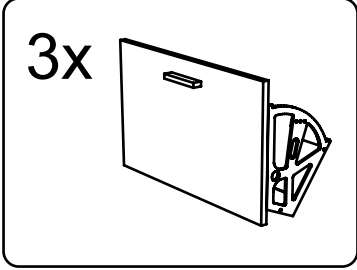
11



6x

27

28

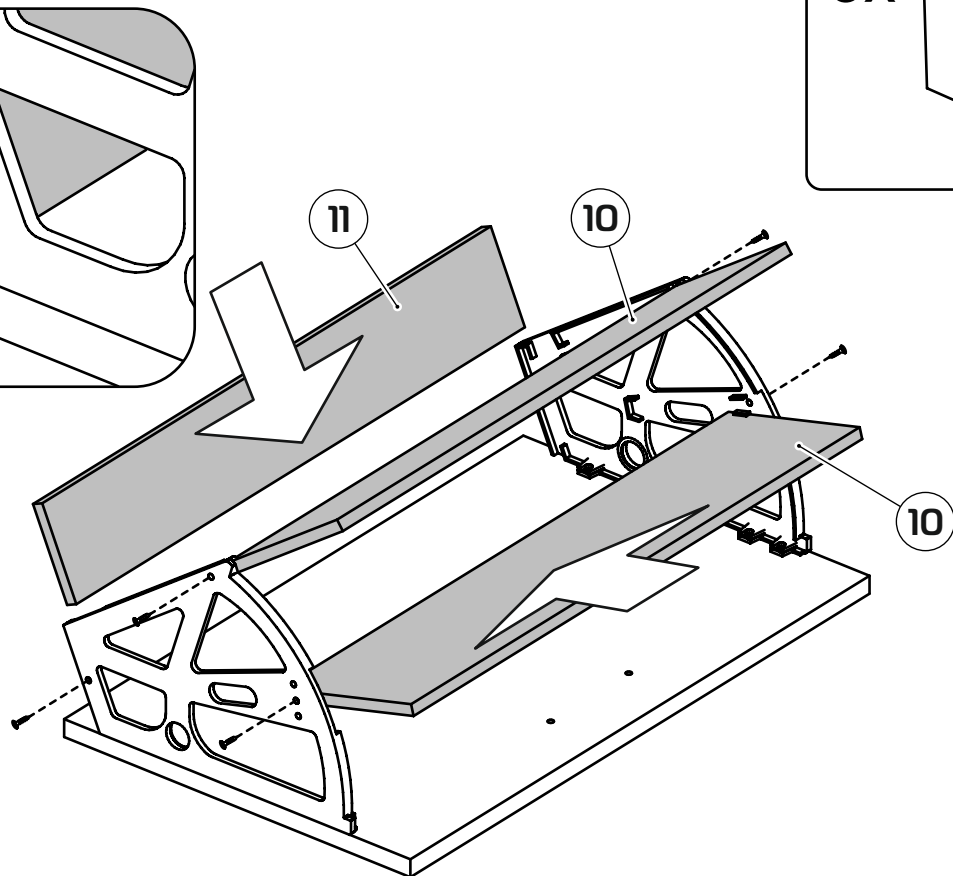


3x

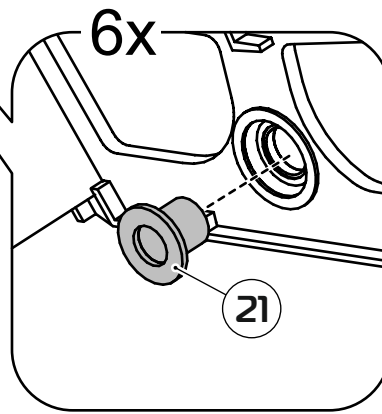
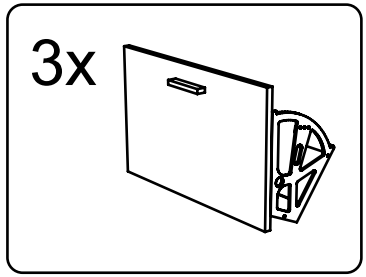
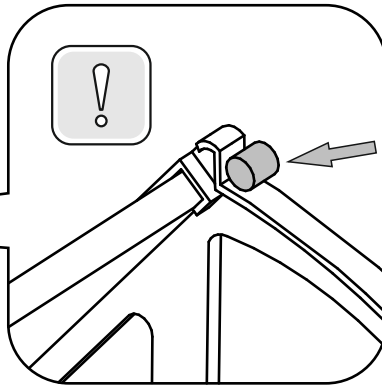
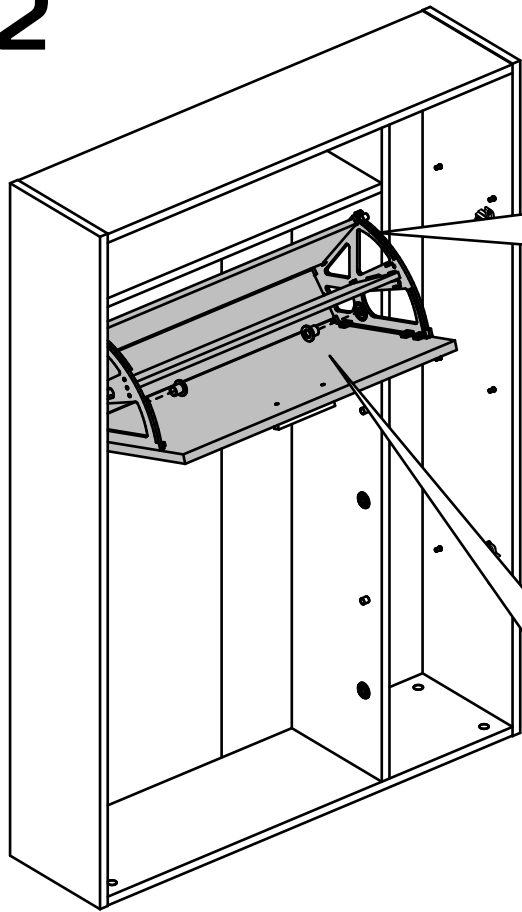
11

10

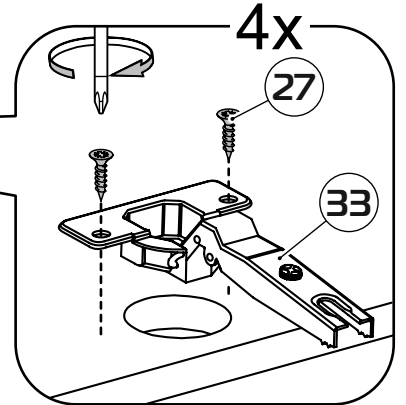
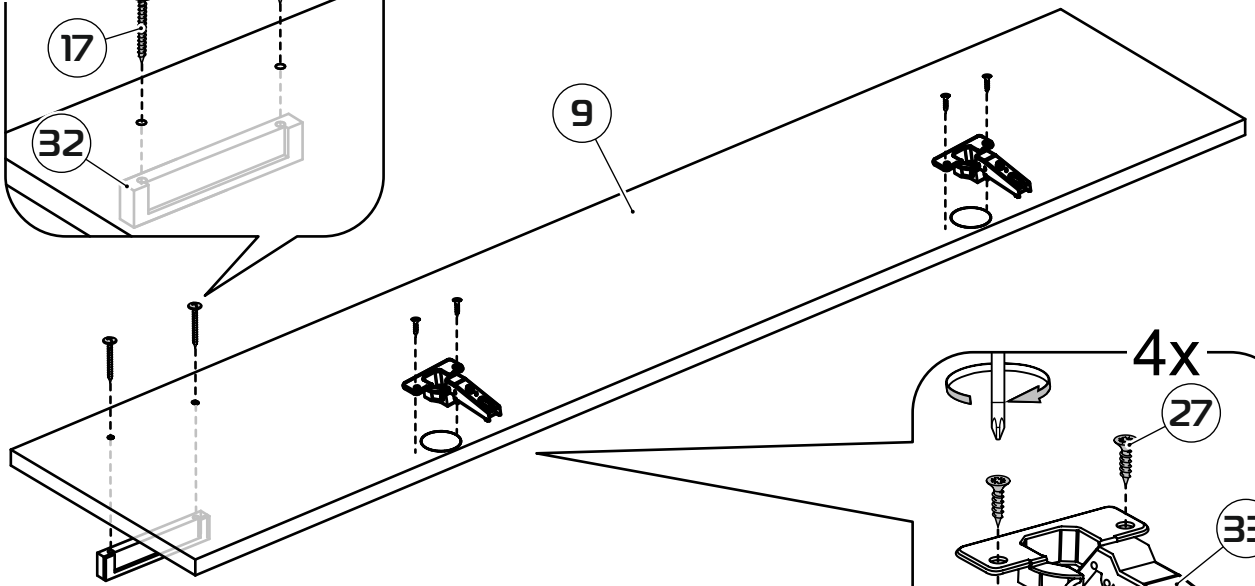
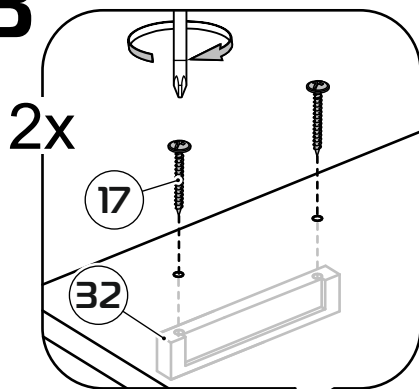
10



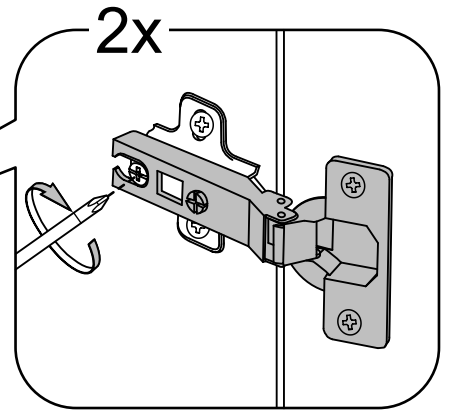
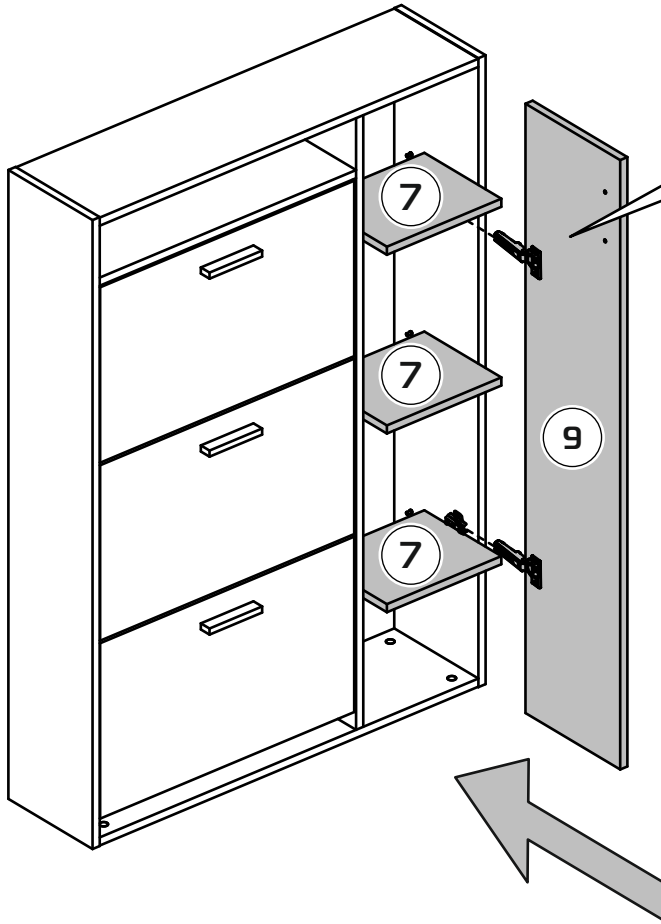
# 12



# 13



# 14



# 15

